

PARTS CATALOGUE

WR426FP'02 (5NG8) S.AFRICA

YAMAHA
GENUINE
Parts & Accessories

2A5NG-100E1



A2

FOREWORD

This Parts Catalogue is related to the parts for the model(s) in the below frame. When you are ordering replacement parts, please refer to this Parts Catalogue and quote both part numbers and part names correctly.

WR426FP(5NG5,5NG8)WR426F(5NG6)WR400F(5GSA)

1. Modifications or additions which have been made after issue of the Parts Catalogue will be announced in the Yamaha Parts News.
It is advisable that you make necessary corrections to the Parts Catalogue according to the Yamaha Parts News.

2. Abbreviations

The Following abbreviations are used in this Parts Catalogue.

"UR" Use specified parts number.

"UN" Use as many as needed.

"AP" Alternate Parts

"LM" Local Made (Parts need to be ordered locally)

"F#" Frame No. (Applicable machine No.)

3. Parts, which are to be supplied in an assembly, are listed with a dot(.) in front of the part name as shown below.

EXAMPLE

CARBURETOR ASSY

.JET, PILOT

.NOZZLE, MAIN

4. Number of component for assembly

The numeral appearing to the right of each component part indicates the quantity of parts for each assembly unit.

EXAMPLE

PART NO.	DESCRIPTION	Q'TY	REMARKS
2F5-83310-60	FRONT FLASHER LIGHT ASSY	2	
115-83311-60	.BULB (6V-18W)	1	
1M1-83309-60	.REFLECTOR	1	

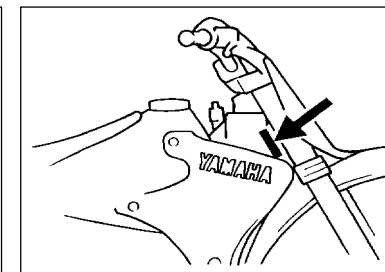
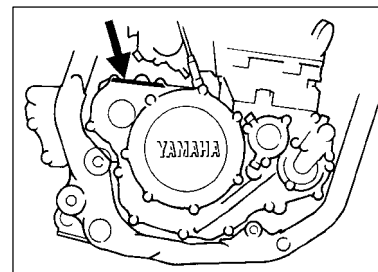
5. Applicable colors of graphics are represented in the "REMARKS" as shown below.

PART NO.	DESCRIPTION	Q'TY	REMARKS
2N4-24110-00-X5	.FUEL TANK COMP.	2	MXR
3J1-24240-10	.GRAPHIC, FUEL TANK	1	for MXR

6. Applicable Serial No.

Engine Serial No.

Frame Serial No.



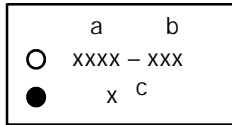
7. Note that the illustrations for reference in finding parts numbers, not to be used for assembling. When assembling, please use the applicable service manual.

8. The asterisk (*) before a reference number indicates modification items after the first edition.

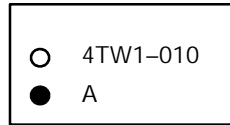
MODEL LABEL

(1) A label called "Model Label" is affixed in the location as indicated in (3) below.
When using this parts catalogue, please be sure to cross-refer the "model code – production code No." in the catalogue to the "model code – production code No." indicated on the Model Label affixed onto the product concerned.

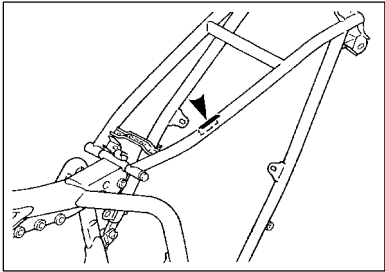
(2) "Model Label" Indication



a: Model Type Code
b: Production Code No.
c: Colouring Type



(3) Model Label Affixing Location



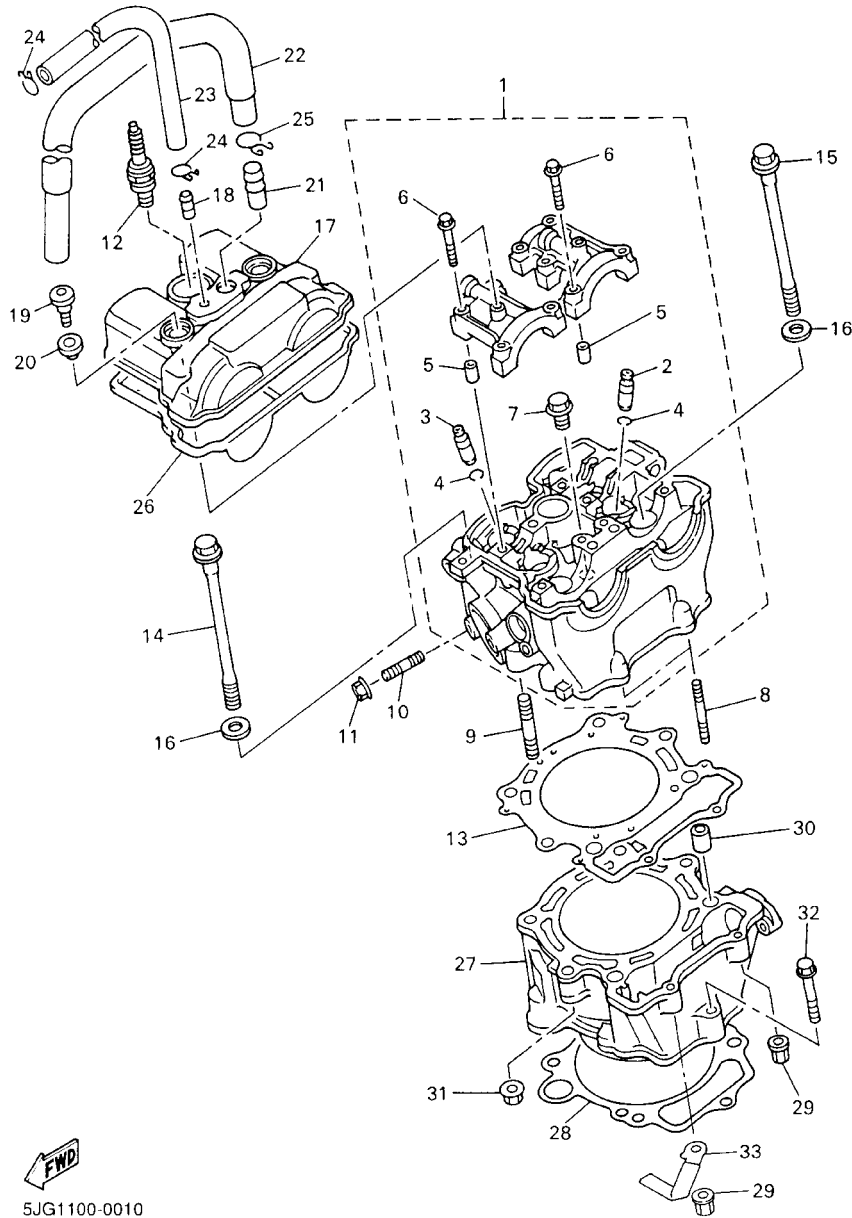
(4) Model Code – Production Code Number of Model Listed in This Parts Catalog

Model Code	Production Code No.	Country (destination)	Model Code	Production Code No.	Country (destination)
			5NG8	040	S.AFRICA

(5) Colouring Information

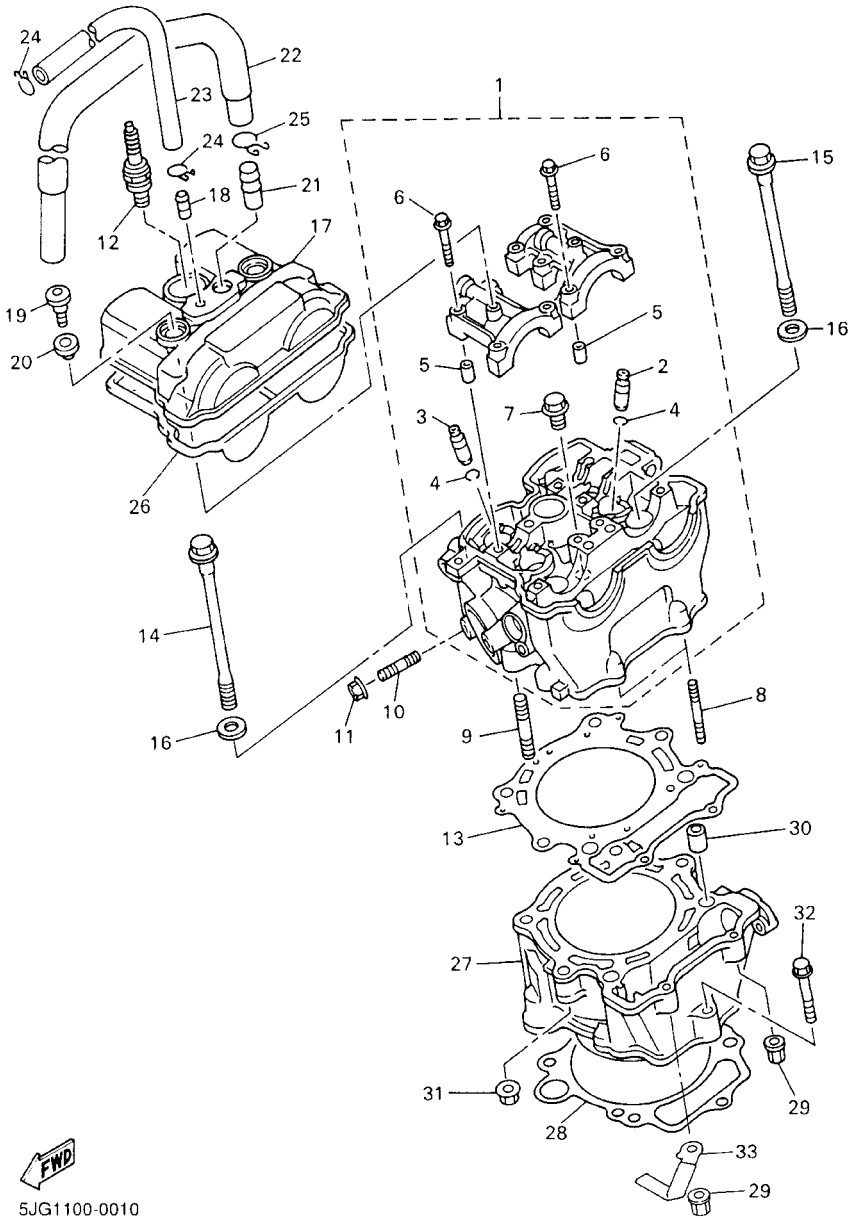
Colouring type code	Colour code	Colour Name	Abbreviation
A	0538	DEEP PURPLISH BLUE SOLID E	DPBSE

FIG. 1 CYLINDER



5JG1100-0010

REF. NO.	PART NO.	DESCRIPTION	5NG5	5NG6	5NG8	5GSA	REMARKS
1	5JG-11102-20	CYLINDER HEAD ASSY	1	1	1		
2	5BE-11133-10	.GUIDE, INTAKE VALVE	3	3	3	3	
3	5BE-11134-10	.GUIDE, EXHAUST VALVE	2	2	2	2	
4	93440-10153	.CIRCLIP	5	5	5	5	
5	91808-16023	.PIN, DOWEL	4	4	4	4	
6	90105-06027	.BOLT, FLANGE	10	10	10	10	
7	90340-12112	.PLUG, STRAIGHT SCREW	1	1	1	1	
8	95617-06635	BOLT, STUD	2	2	2	2	
9	95617-08635	BOLT, STUD	2	2	2	2	
10	95617-08620	BOLT, STUD	1	1	1	1	
11	95707-08500	NUT, FLANGE	1	1	1	1	
12	NGK-C8E-PK10	PLUG, SPARK (NGK CR8E)	1	1	1	1	UR
13	5JG-11181-00	GASKET, CYLINDER HEAD 1	1	1	1		
14	90105-104A7	BOLT, FLANGE	2	2	2	2	
15	90105-106A3	BOLT, FLANGE	2	2	2	2	
16	90201-101A4	WASHER, PLATE	4	4	4	4	
17	5BE-11191-00	COVER, CYLINDER HEAD 1	1	1	1	1	
18	5BE-11167-00	PIPE, BREATHER 2	1	1	1	1	
19	90109-066F0	BOLT	2	2	2	2	
20	4KG-1111G-00	RUBBER, MOUNT 1	2	2	2	2	
21	371-11167-01	PIPE, BREATHER 2	1	1	1	1	
22	5BE-11166-00	PIPE, BREATHER 1	1	1	1	1	
23	90445-112K0	HOSÉ (L285)	1	1	1	1	
24	90467-11106	CLIP	2	2	2	2	

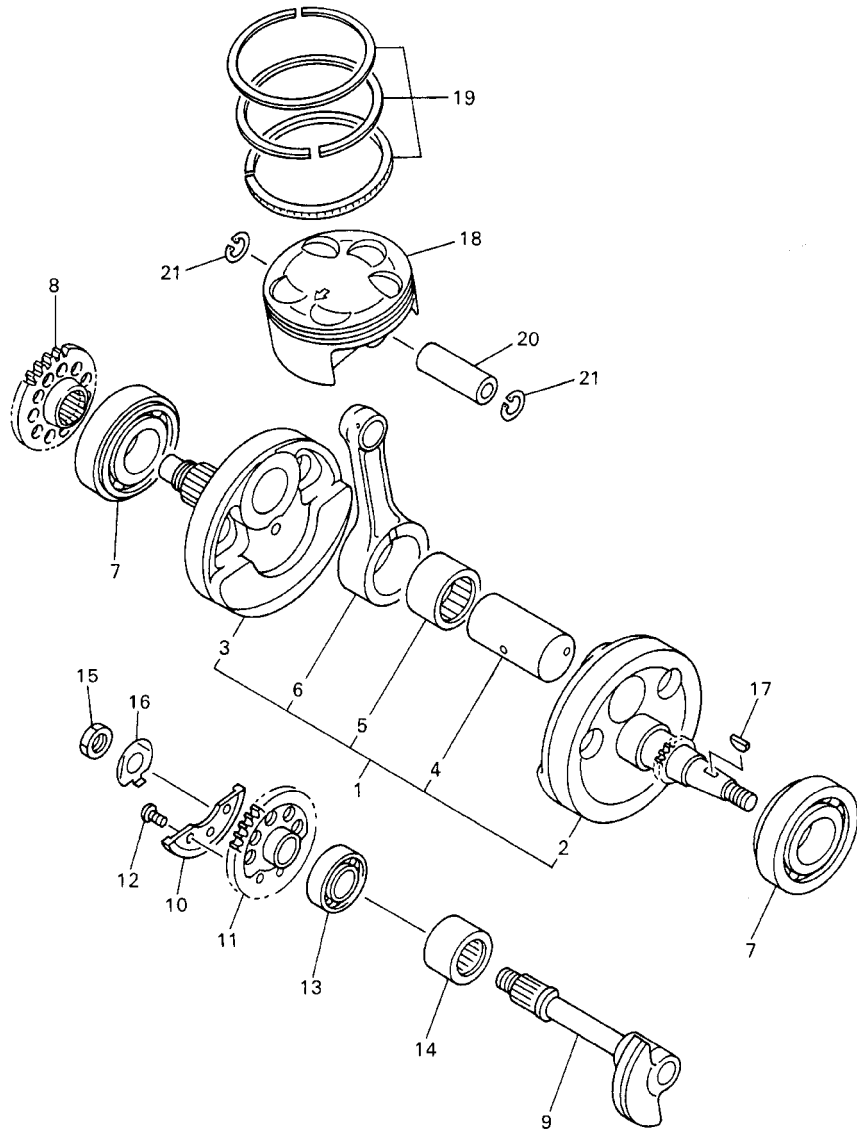


5JG1100-0010

FIG. 1 CYLINDER

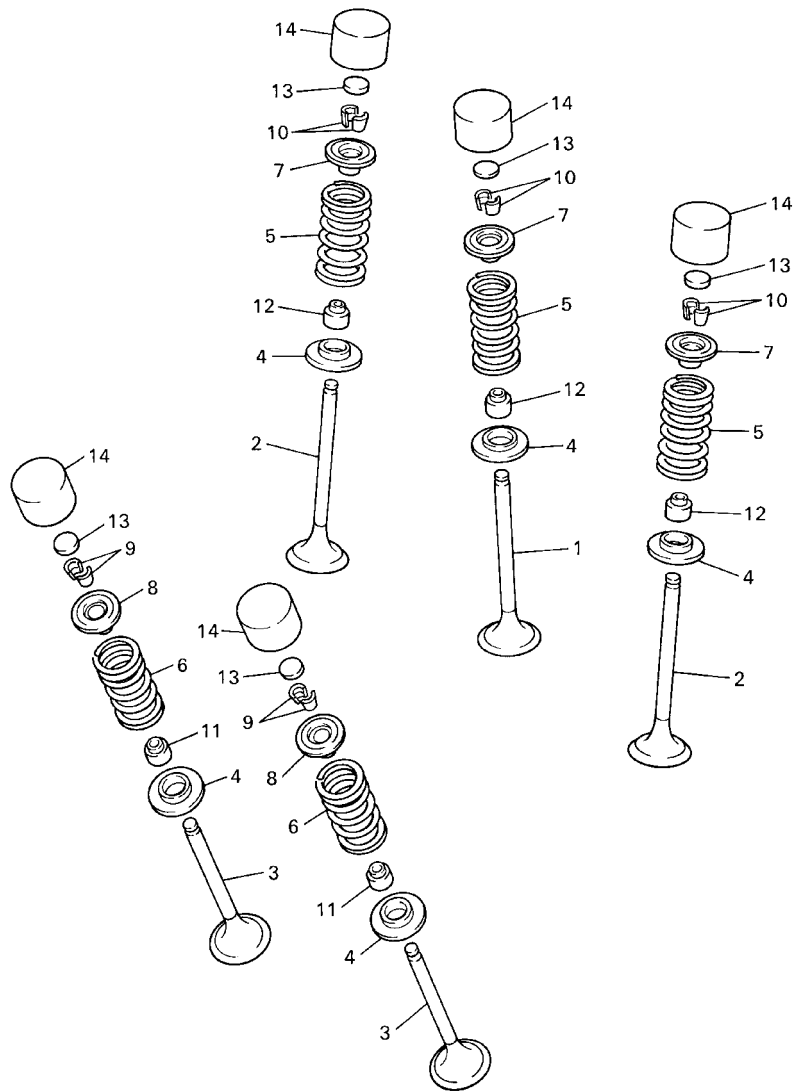
REF. NO.	PART NO.	DESCRIPTION	5NG5	5NG6	5NG8	5GSA	REMARKS
25	90467-14015	CLIP	1	1	1	1	
26	5BE-11193-10	GASKET, HEAD COVER 1	1	1	1	1	
27	5JG-11311-00	CYLINDER 1	1	1	1		
28	5BE-11351-00	GASKET, CYLINDER	1	1	1	1	
29	90179-06500	NUT	2	2	2	2	
30	93612-16254	PIN, DOWEL	2	2	2	2	
31	90179-08270	NUT	2	2	2	2	
32	95027-06040	BOLT, FLANGE	1	1	1	1	
33	5JG-11387-00	CLAMP, HOSE 1	1	1	1	1	

FIG. 2 CRANKSHAFT. PISTON



FWD
5NG1100-1020

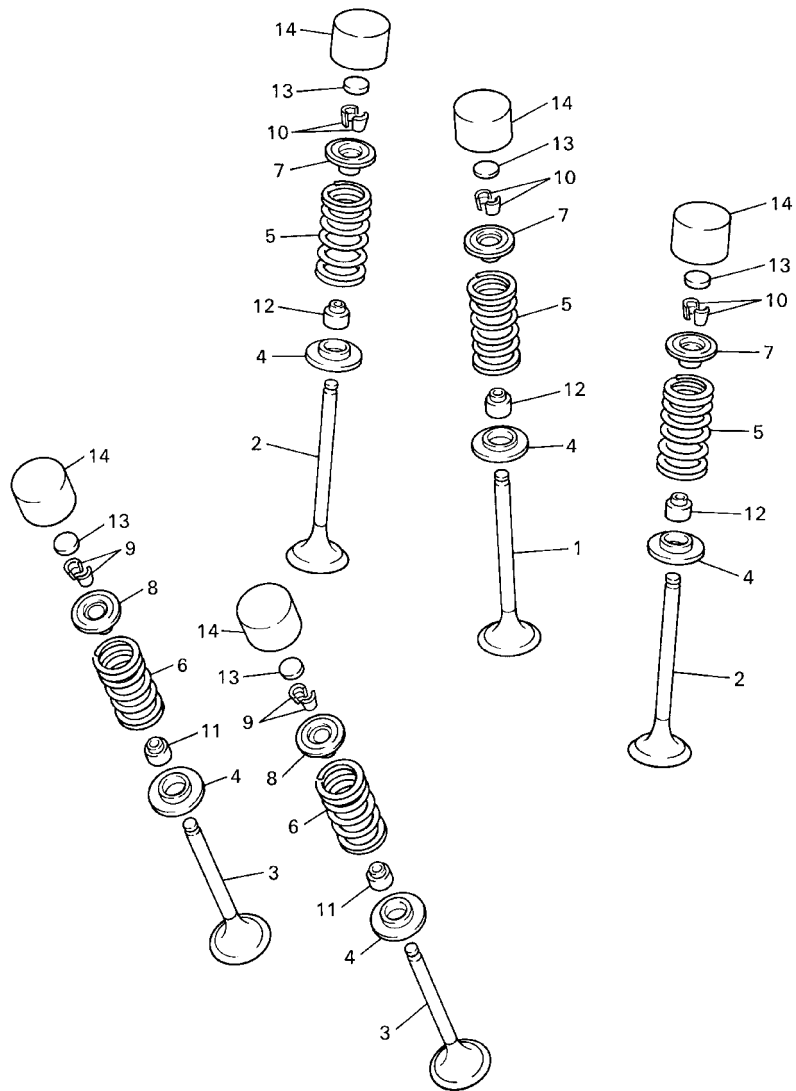
REF. NO.	PART NO.	DESCRIPTION	5NG5	5NG6	5NG8	5GSA	REMARKS
1	5JG-11400-20	CRANKSHAFT ASSY	1	1	1		
2	5JG-11412-10	.CRANK 1	1	1	1	1	
3	5JG-11422-10	.CRANK 2	1	1	1	1	
4	5BE-11681-00	.PIN, CRANK 1	1	1	1	1	
5	93310-634B0	.BEARING	1	1	1	1	
6	5JG-11651-10	.ROD, CONNECTING	1	1	1		
7	93306-30633	BEARING	2	2	2	2	
8	5JG-11536-00	GEAR, DRIVE	1	1	1	1	
9	5BE-11455-00	SHAFT 1	1	1	1	1	
10	5BE-11454-00	WEIGHT 1	1	1	1	1	
11	5BE-11531-00	GEAR, BALANCE WT	1	1	1	1	
12	90149-06250	SCREW	3	3	3	3	
13	93306-20335	BEARING	1	1	1	1	
14	93311-62574	BEARING	1	1	1	1	
15	90170-14171	NUT	1	1	1	1	
16	90215-14204	WASHER, LOCK	1	1	1	1	
17	90280-03001	KEY, WOODRUFF	1	1	1	1	
18	5NG-11631-10	PISTON (STD)	1	1	1		
19	5JG-11603-00	PISTON RING SET (STD)	1	1	1		
20	5JG-11633-00	PIN, PISTON	1	1	1		
21	93420-19084	CIRCLIP	2	2	2		



5BE100-8030

FIG. 3 VALVE

REF. NO.	PART NO.	DESCRIPTION	5NG5	5NG6	5NG8	5GSA	REMARKS
1	5JG-12111-00	VALVE, INTAKE	1	1	1	1	
2	5JG-12112-00	VALVE, INTAKE 2	2	2	2	2	
3	5JG-12121-00	VALVE, EXHAUST	2	2	2	2	
4	3GM-12126-00	SEAT, VALVE SPRING 2	5	5	5	5	
5	5JG-12113-00	SPRING, VALVE INNER	3	3	3	3	
6	5JG-12114-00	SPRING, VALVE OUTER	2	2	2	2	
7	5BE-12117-00	RETAINER, VALVE SPRING	3	3	3	3	
8	4GY-12117-00	RETAINER, VALVE SPRING	2	2	2	2	
9	1AA-12118-00	COTTER, VALVE	4	4	4	4	
10	1WG-12118-00	COTTER, VALVE	6	6	6	6	
11	33M-12119-00	SEAL, VALVE STEM	2	2	2	2	
12	4SV-12119-00	SEAL, VALVE STEM	3	3	3	3	
13	3LD-12168-00	PAD, ADJUSTING (1.20)	5	5	5	5	UR
	3LD-12168-20	PAD, ADJUSTING (1.25)	5	5	5	5	UR
	3LD-12168-40	PAD, ADJUSTING (1.30)	5	5	5	5	UR
	3LD-12168-60	PAD, ADJUSTING (1.35)	5	5	5	5	UR
	3LD-12168-80	PAD, ADJUSTING (1.40)	5	5	5	5	UR
	3LD-12168-A0	PAD, ADJUSTING (1.45)	5	5	5	5	UR
	3LD-12168-F0	PAD, ADJUSTING (1.50)	5	5	5	5	UR
	3LD-12168-H1	PAD, ADJUSTING (1.55)	5	5	5	5	UR
	3LD-12168-K1	PAD, ADJUSTING (1.60)	5	5	5	5	UR
	3LD-12168-M1	PAD, ADJUSTING (1.65)	5	5	5	5	UR
	3LD-12168-R1	PAD, ADJUSTING (1.70)	5	5	5	5	UR
	3LD-12168-U1	PAD, ADJUSTING (1.75)	5	5	5	5	UR
	3LD-12168-W1	PAD, ADJUSTING (1.80)	5	5	5	5	UR
	3LD-12168-Y1	PAD, ADJUSTING (1.85)	5	5	5	5	UR
	3LD-12169-11	PAD, ADJUSTING (1.90)	5	5	5	5	UR

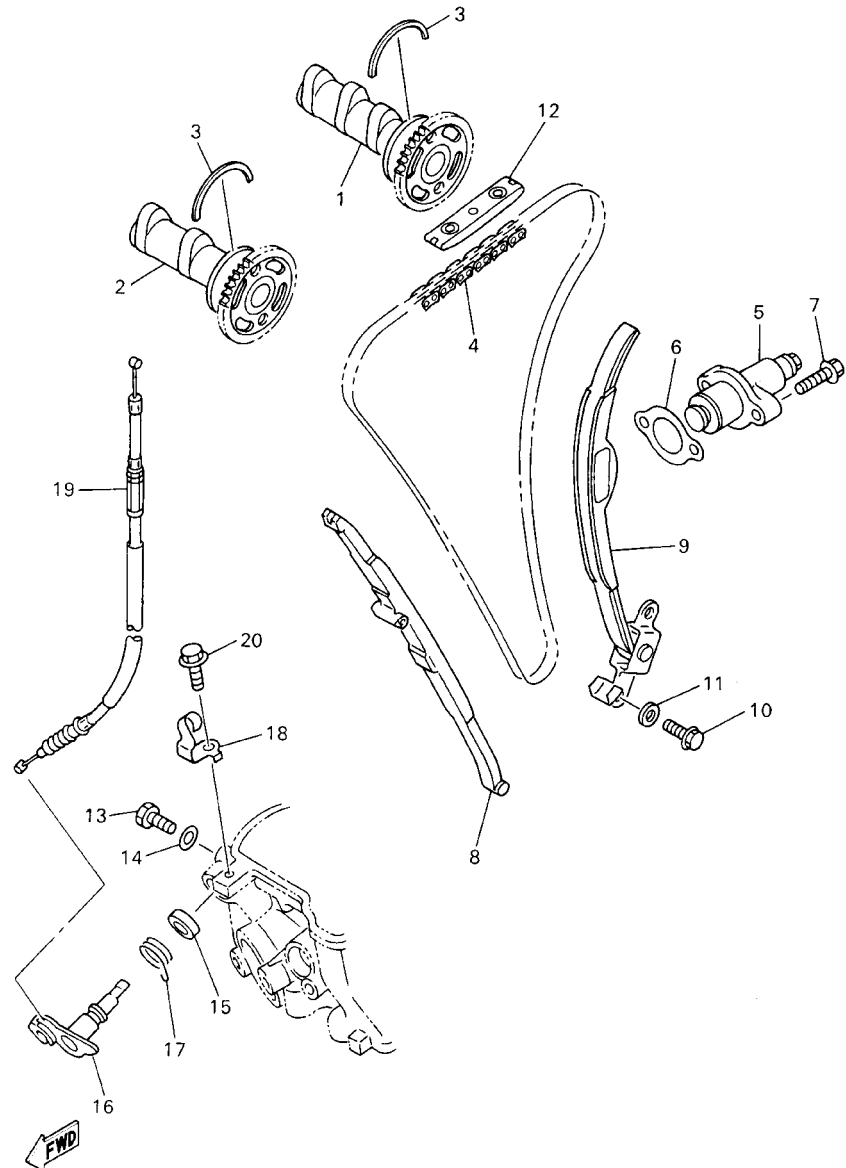


5BE100-8030

FIG. 3 VALVE

REF. NO.	PART NO.	DESCRIPTION	5NG5	5NG6	5NG8	5GSA	REMARKS
13	3LD-12169-31	PAD, ADJUSTING (1.95)	5	5	5	5	UR
	3LD-12169-50	PAD, ADJUSTING (2.00)	5	5	5	5	UR
	3LD-12169-70	PAD, ADJUSTING (2.05)	5	5	5	5	UR
	3LD-12169-90	PAD, ADJUSTING (2.10)	5	5	5	5	UR
	3LD-12169-E0	PAD, ADJUSTING (2.15)	5	5	5	5	UR
	3LD-12169-G0	PAD, ADJUSTING (2.20)	5	5	5	5	UR
	3LD-12169-J0	PAD, ADJUSTING (2.25)	5	5	5	5	UR
	3LD-12169-L0	PAD, ADJUSTING (2.30)	5	5	5	5	UR
	3LD-12169-N0	PAD, ADJUSTING (2.35)	5	5	5	5	UR
	3LD-12169-T0	PAD, ADJUSTING (2.40)	5	5	5	5	UR
14	3FV-12153-00	LIFTER, VALVE	5	5	5	5	UR BLACK
	3FV-12153-10	LIFTER, VALVE	5	5	5	5	UR YELLOW
	3FV-12153-20	LIFTER, VALVE	5	5	5	5	UR BLUE

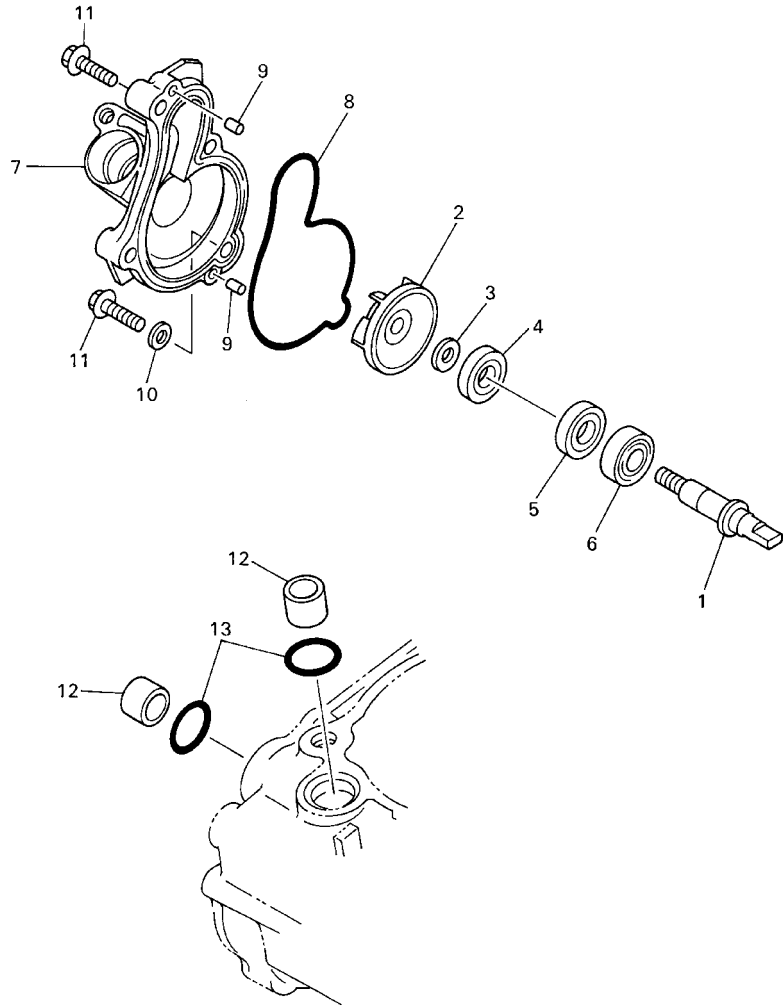
FIG. 4 CAMSHAFT. CHAIN



5JG1100-0040

REF. NO.	PART NO.	DESCRIPTION	5NG5	5NG6	5NG8	5GSA	REMARKS
1	5BF-12170-10	CAMSHAFT ASSY 1	1	1	1	1	
2	5BF-12180-01	CAMSHAFT ASSY 2	1	1	1	1	
3	93440-41178	CIRCLIP	2	2	2	2	
4	94591-50120	CHAIN	1	1	1	1	
5	5BE-12210-00	TENSIONER ASSY, CAM CHAIN	1	1	1	1	
6	4FM-12213-00	GASKET, TENSIONER CASE	1	1	1	1	
7	95027-06025	BOLT, FLANGE	2	2	2	2	
8	5BE-12251-10	DAMPER, CHAIN 1	1	1	1	1	
9	5BE-12252-00	DAMPER, CHAIN 2	1	1	1	1	
10	97027-06016	BOLT	2	2	2	2	
11	92907-06600	WASHER, PLATE	2	2	2	2	
12	5BE-12241-00	GUIDE, STOPPER 2	1	1	1	1	
13	90109-06418	BOLT	1	1	1	1	
14	90430-06014	GASKET	1	1	1	1	
15	93102-12224	OIL SEAL	1	1	1	1	
16	5BE-12280-10	DECOMPRESSION ASSY	1	1	1	1	
17	90508-162B2	SPRING, TORSION	1	1	1	1	
18	5NL-12283-00	BRACKET, DECOMPRESSION	1	1	1	1	
19	5BE-12292-10	CABLE, DECOMPRESSION	1	1	1	1	
20	95827-06014	BOLT, FLANGE	1	1	1	1	

FIG. 5 WATER PUMP

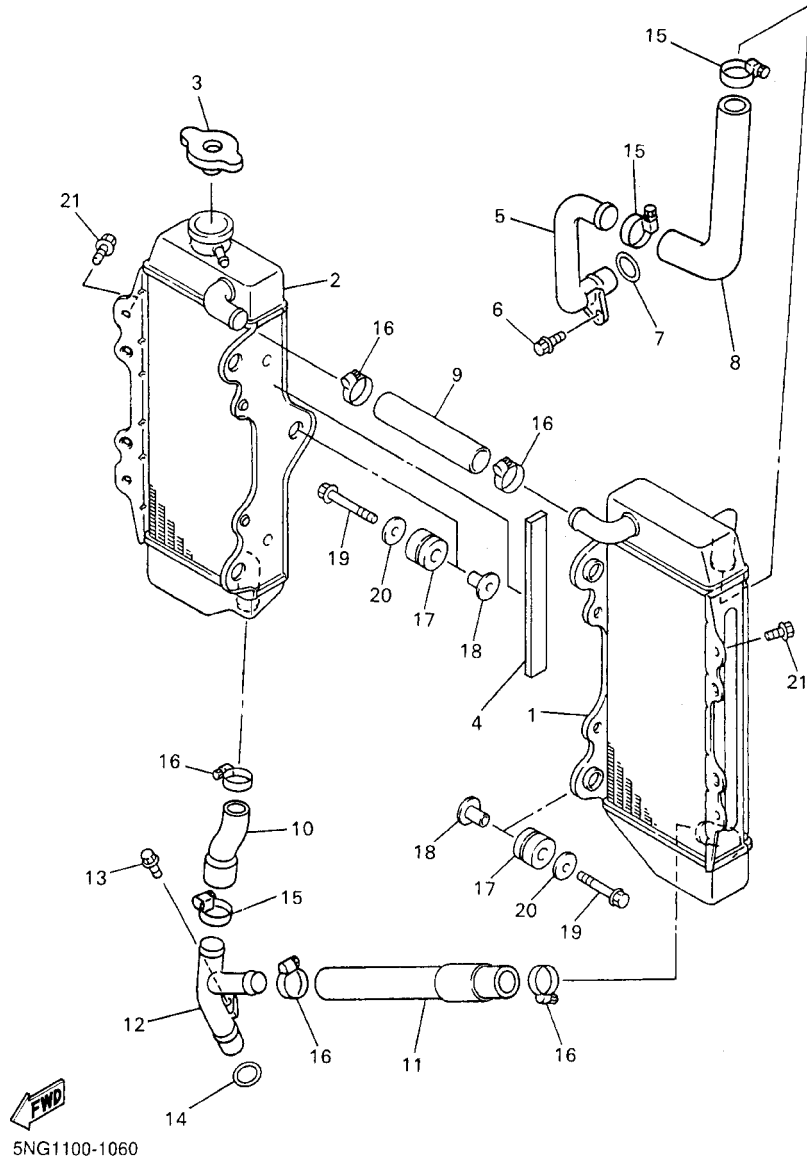


REF. NO.	PART NO.	DESCRIPTION	5NG5	5NG6	5NG8	5GSA	REMARKS
1	5GR-12458-00	SHAFT, IMPELLER	1	1	1	1	
2	5DJ-12451-00	IMPELLER, WATER PUMP	1	1	1	1	
3	90201-08512	WASHER, PLATE	1	1	1	1	
4	93109-11073	OIL SEAL	1	1	1	1	
5	93102-12106	OIL SEAL (SD 12-22-5 HS)	1	1	1	1	
6	93306-00105	BEARING (B6001)	1	1	1	1	
7	5BE-12422-10	COVER, HOUSING	1	1	1	1	
8	5BE-12439-00	O-RING	1	1	1	1	
9	93604-10011	PIN, DOWEL	2	2	2	2	
10	90430-06014	GASKET	1	1	1	1	
11	95027-06025	BOLT, FLANGE	4	4	4	4	
12	5BE-12564-00	PIPE, WATER	2	2	2	2	
13	93210-19758	O-RING	2	2	2	2	



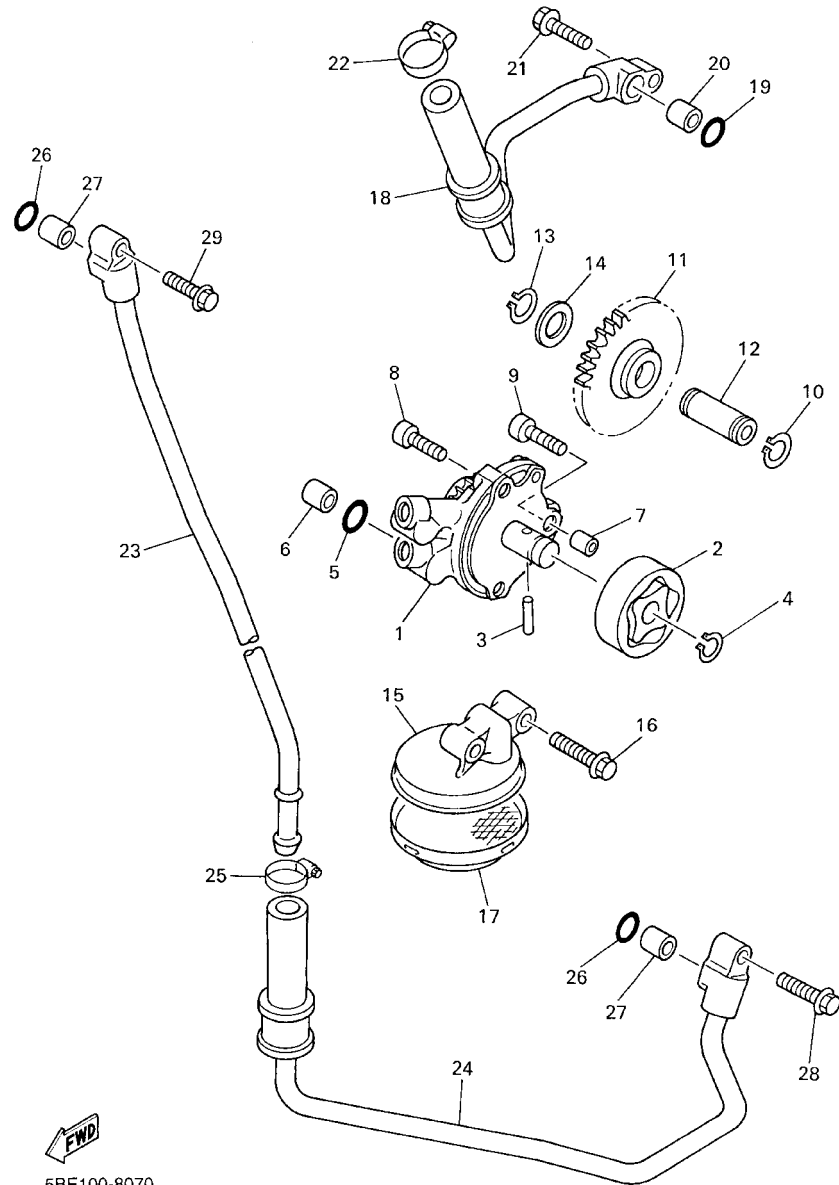
5BE100-8050

FIG. 6 RADIATOR. HOSE



REF. NO.	PART NO.	DESCRIPTION	5NG5	5NG6	5NG8	5GSA	REMARKS
1	5JG-1240A-00	RADIATOR ASSY	1	1	1	1	
2	5JG-12461-00	RADIATOR ASSY	1	1	1	1	
3	5HD-12462-00	CAP, RADIATOR	1	1	1	1	
4	3GD-24181-00	DAMPER, LOCATING 1	1		1		FOR CAN
5	5BE-12481-10	PIPE 1	1	1	1	1	
6	95027-06012	BOLT, FLANGE	1	1	1	1	
7	93210-16500	O-RING	1	1	1	1	
8	5BE-12576-00	HOSE 1	1	1	1	1	
9	5BE-12577-01	HOSE 2	1	1	1	1	
10	5BE-12578-00	HOSE 3	1	1	1	1	
11	5BE-12579-02	HOSE 4	1	1	1	1	
12	5BE-12482-00	PIPE 2	1	1	1	1	
13	95027-06012	BOLT, FLANGE	1	1	1	1	
14	93210-16500	O-RING	1	1	1	1	
15	90450-28014	HOSE CLAMP ASSY	3	3	3	3	
16	90450-25037	HOSE CLAMP ASSY	5	5	5	5	
17	90480-15528	GROMMET	6	6	6	6	
18	90387-0614M	COLLAR		6	6	6	U R FOR ZAF
19	95027-06025	BOLT, FLANGE		6	6	6	U R FOR ZAF
20	90201-06071	WASHER, PLATE		6	6	6	
21	95827-06010	BOLT, FLANGE	2	2	2	2	

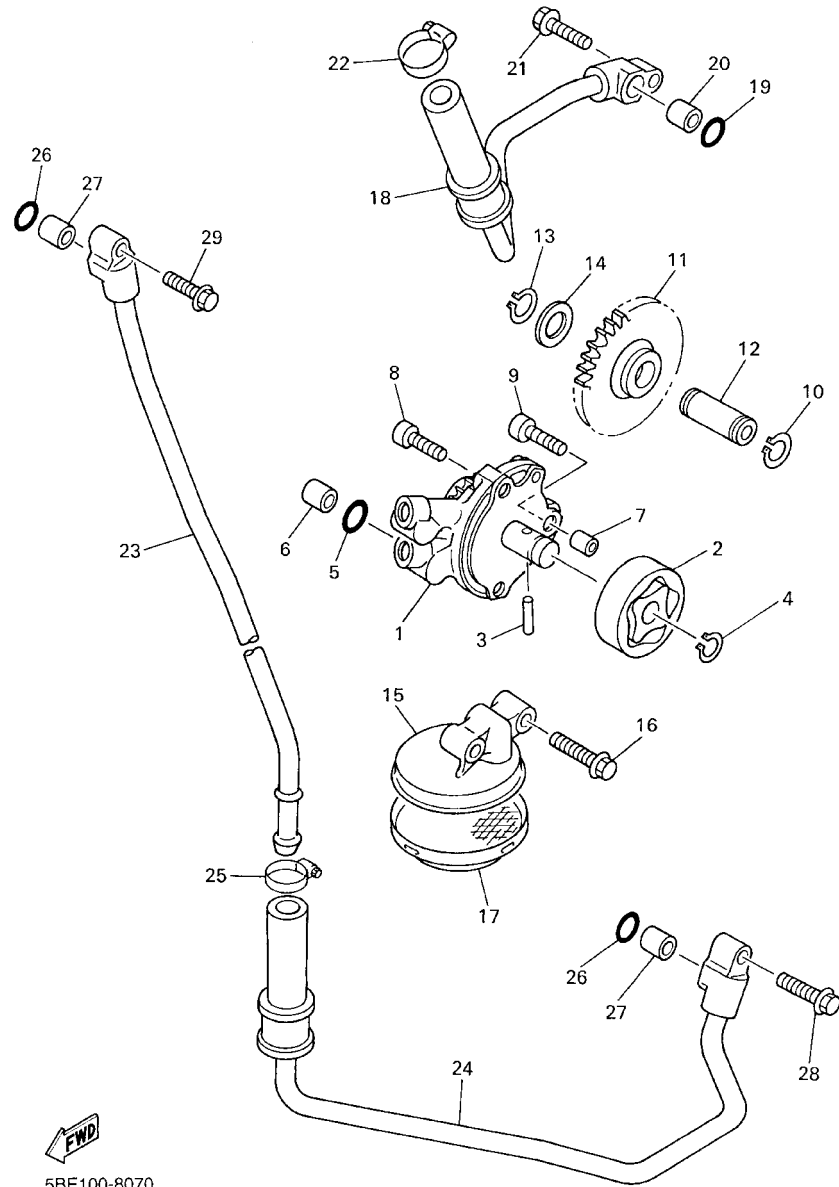
FIG. 7 OIL PUMP



5BE100-8070

REF. NO.	PART NO.	DESCRIPTION	5NG5	5NG6	5NG8	5GSA	REMARKS
1	5BE-13300-10	OIL PUMP ASSY	1	1	1	1	
2	1HX-13310-10	ROTOR ASSY 1	1	1	1	1	
3	93603-17070	PIN, DOWEL	1	1	1	1	
4	93440-10085	CIRCLIP	1	1	1	1	
5	93210-10197	O-RING	1	1	1	1	
6	99530-10114	PIN, DOWEL	1	1	1	1	
7	99530-08012	PIN, DOWEL	1	1	1	1	
8	91317-06025	BOLT	2	2	2	2	
9	91314-06030	BOLT	1	1	1	1	
10	99001-08600	CIRCLIP	1	1	1	1	
11	5BE-13341-00	GEAR, OIL PUMP IDLE	1	1	1	1	
12	5BE-13342-00	SHAFT, IDLE GEAR	1	1	1	1	
13	99009-12400	CIRCLIP	1	1	1	1	
14	90201-12166	WASHER, PLATE	1	1	1	1	
15	5BE-13412-00	HOUSING, STRAINER	1	1	1	1	
16	95027-06025	BOLT, FLANGE	2	2	2	2	
17	5BE-13411-00	STRAINER, OIL	1	1	1	1	
18	5BE-13464-10	HOSE, OIL 1	1	1	1	1	
19	93210-10197	O-RING	1	1	1	1	
20	99530-10114	PIN, DOWEL	1	1	1	1	
21	95027-06025	BOLT, FLANGE	1	1	1	1	
22	90450-22017	HOSE CLAMP ASSY	1	1	1	1	
23	5BE-13416-00	PIPE, OIL 1	1	1	1	1	
24	5BE-13465-10	HOSE, OIL 2	1	1	1	1	
25	90450-22017	HOSE CLAMP ASSY	1	1	1	1	
26	93210-10197	O-RING	2	2	2	2	
27	99530-10114	PIN, DOWEL	2	2	2	2	

FIG. 7 OIL PUMP



5BE100-8070

REF. NO.	PART NO.	DESCRIPTION	5NG5	5NG6	5NG8	5GSA	REMARKS
28	95027-06025	BOLT, FLANGE	1	1	1	1	
29	95024-06020	BOLT, FLANGE	1	1	1	1	

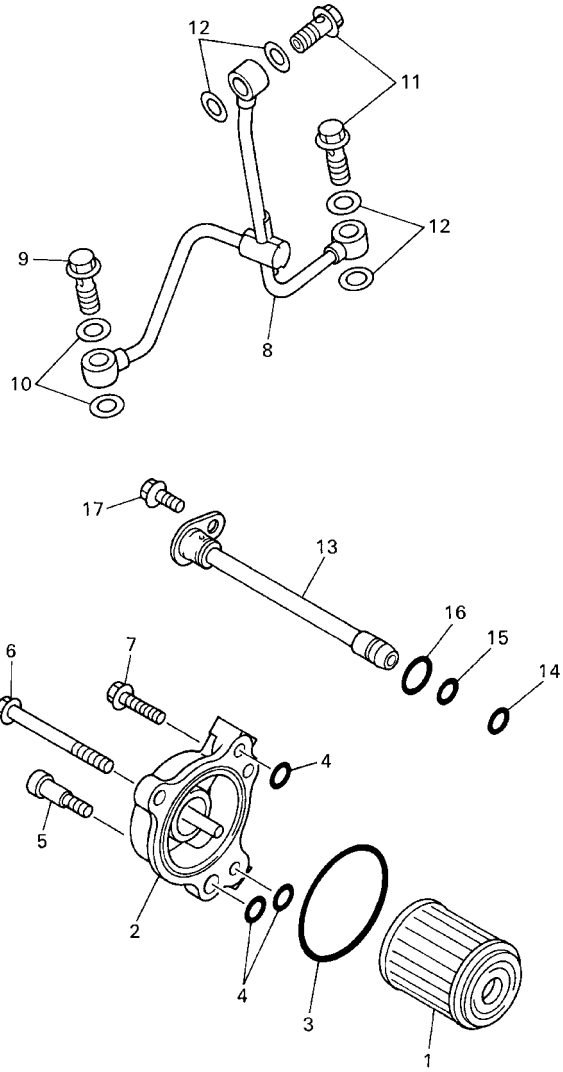
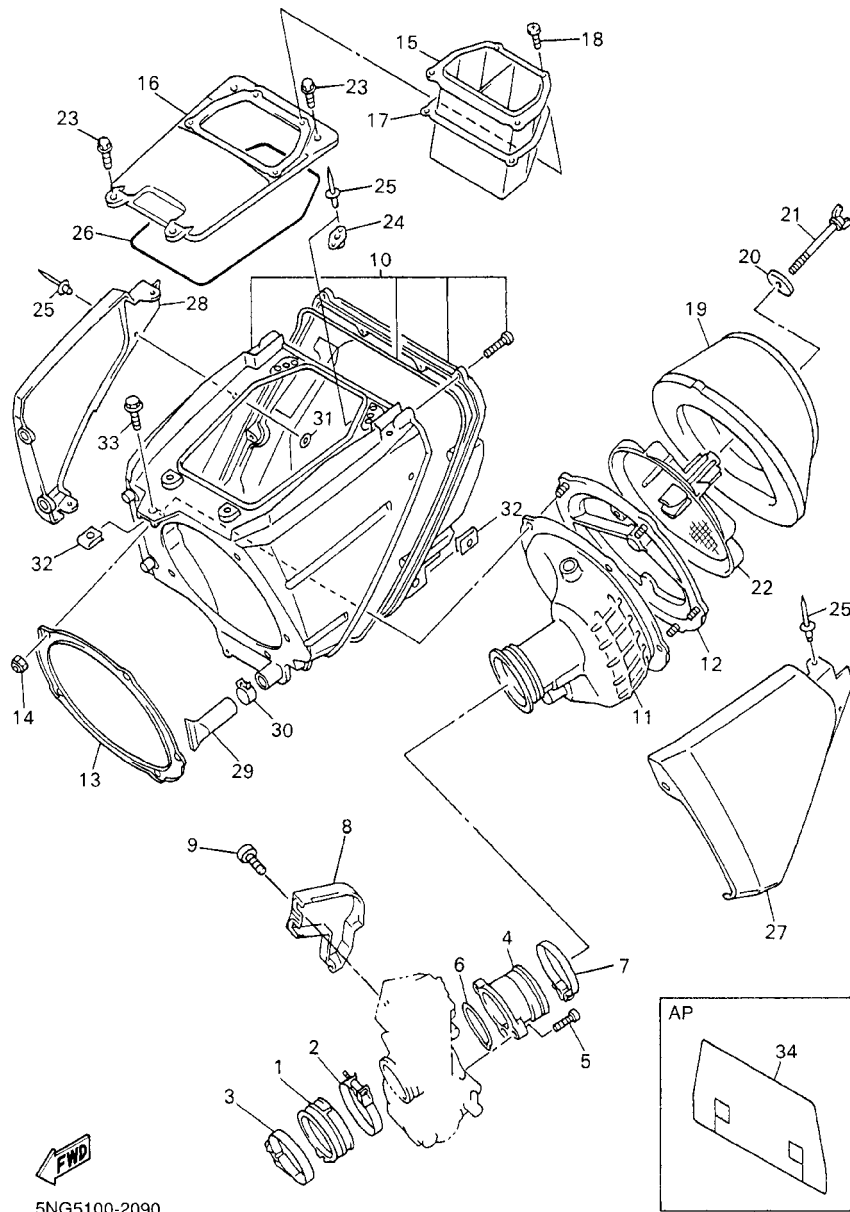


FIG. 8 OIL CLEANER

REF. NO.	PART NO.	DESCRIPTION	5NG5	5NG6	5NG8	5GSA	REMARKS
1	1UY-13440-02	ELEMENT ASSY, OIL CLEANER	1	1	1	1	
2	5BE-13447-00	COVER, OIL ELEMENT	1	1	1	1	
3	93210-47675	O-RING	1	1	1	1	
4	93210-07135	O-RING	3	3	3	3	
5	90109-065G2	BOLT	1	1	1	1	
6	95027-06065	BOLT, FLANGE	1	1	1	1	
7	95027-06020	BOLT, FLANGE	1	1	1	1	
8	5BE-13161-01	PIPE, DELIVERY 1	1	1	1	1	
9	90401-10159	BOLT, UNION	1	1	1	1	
10	90430-10188	GASKET	2	2	2	2	
11	90401-08038	BOLT, UNION	2	2	2	2	
12	90430-08119	GASKET	4	4	4	4	
13	5BE-13171-01	PIPE, DELIVERY 2	1	1	1	1	
14	93210-07003	O-RING	1	1	1	1	
15	93210-09008	O-RING	1	1	1	1	
16	93210-12759	O-RING	1	1	1	1	
17	95027-06012	BOLT, FLANGE	1	1	1	1	



5BE100-8080



5NG5100-2090

FIG. 9 INTAKE

REF. NO.	PART NO.	DESCRIPTION	5NG5	5NG6	5NG8	5GSA	REMARKS
1	5SF-13597-00	JOINT, CARBURETOR 3	1	1	1	1	
2	90450-57092	HOSE CLAMP ASSY	1	1	1	1	
3	90450-59001	HOSE CLAMP ASSY	1	1	1	1	
4	5JG-1440F-01	JOINT, AIR FILTER 1	1	1	1	1	
5	91317-05014	BOLT	2	2	2	2	
6	4FN-14561-00	O-RING	1	1	1	1	
7	90450-61001	HOSE CLAMP ASSY	1	1	1	1	
8	5JG-14293-01	COVER 1	1	1	1	1	
9	5JG-14428-00	BOLT	1	1	1	1	
10	5JG-14401-00	AIR CLEANER CASE ASSY	1	1	1	1	
11	5JG-14453-00	JOINT, AIR CLEANER 1	1	1	1	1	
12	3JD-14459-01	HOLDER, GUIDE	1	1	1	1	
13	5MV-14477-00	PLATE	1	1	1	1	
14	95607-05100	NUT, U	5	5	5	5	
15	5BF-14437-00	DUCT	1	1	1	1	
16	5BF-1441A-10	COVER, CLEANER CASE 1	1	1	1	1	
17	5BF-14452-00	SEAL	1	1	1	1	
18	97707-50012	SCREW, TAPPING	4	4	4	4	
19	4XM-14451-00	ELEMENT, AIR CLEANER	1	1	1	1	
20	90209-06096	WASHER	1	1	1	1	
21	90122-06035	BOLT, WING	1	1	1	1	
22	5BE-14458-00	GUIDE	1	1	1	1	
23	90146-06014	SCREW, OVAL FILLISTER	4	4	4	4	
24	5BF-14493-00	STAY 1	2	2	2	2	
25	90267-32070	RIVET, BLIND	9	9	9	9	
26	5BF-14457-00	SEAL	1	1	1	1	
27	5BE-1441A-10	COVER, CLEANER CASE 1	1	1	1	1	

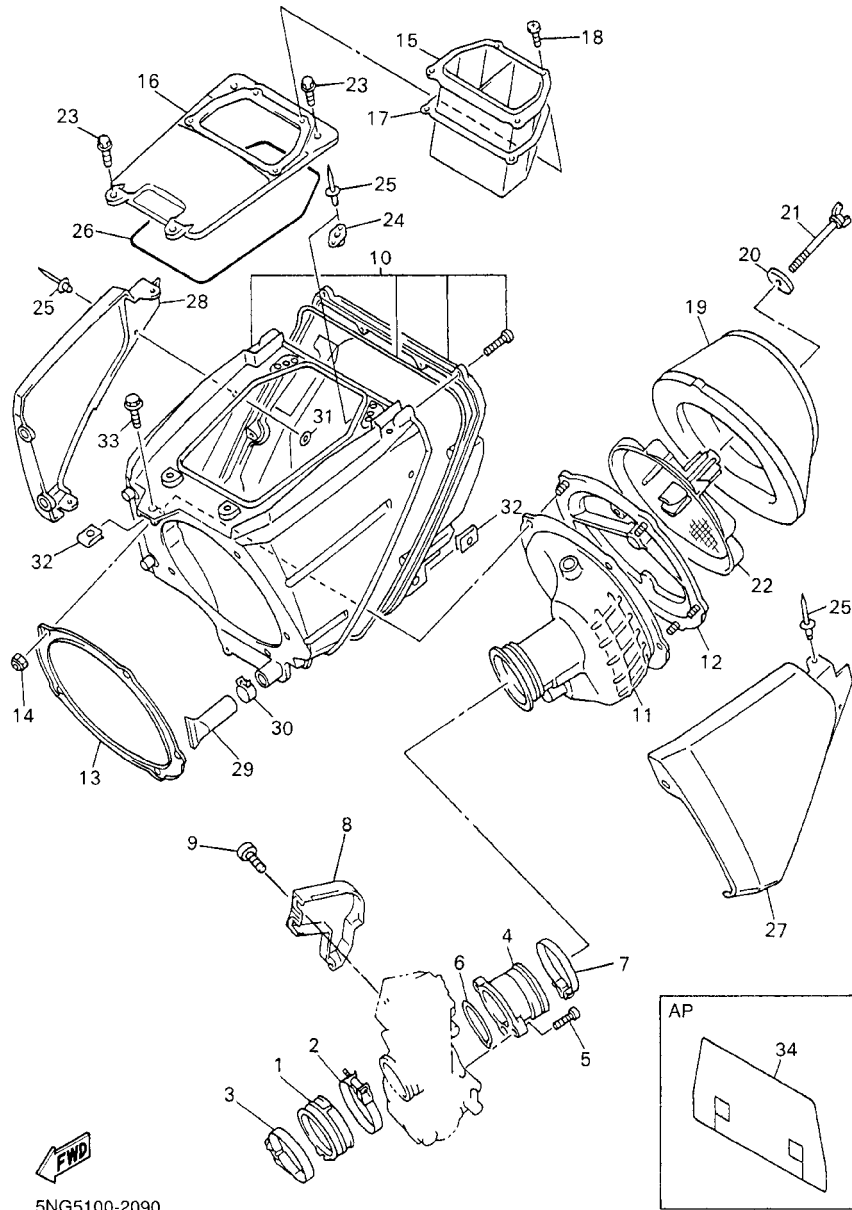
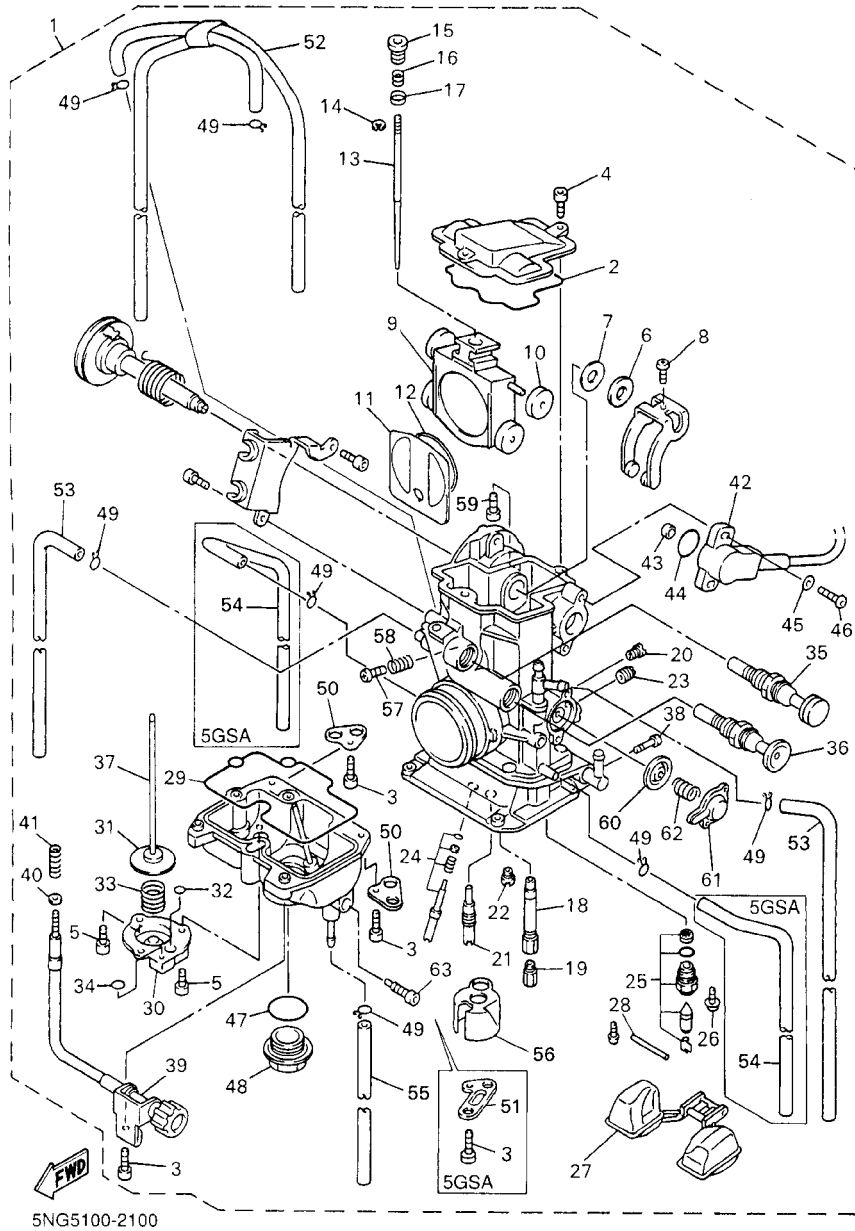


FIG. 9 INTAKE

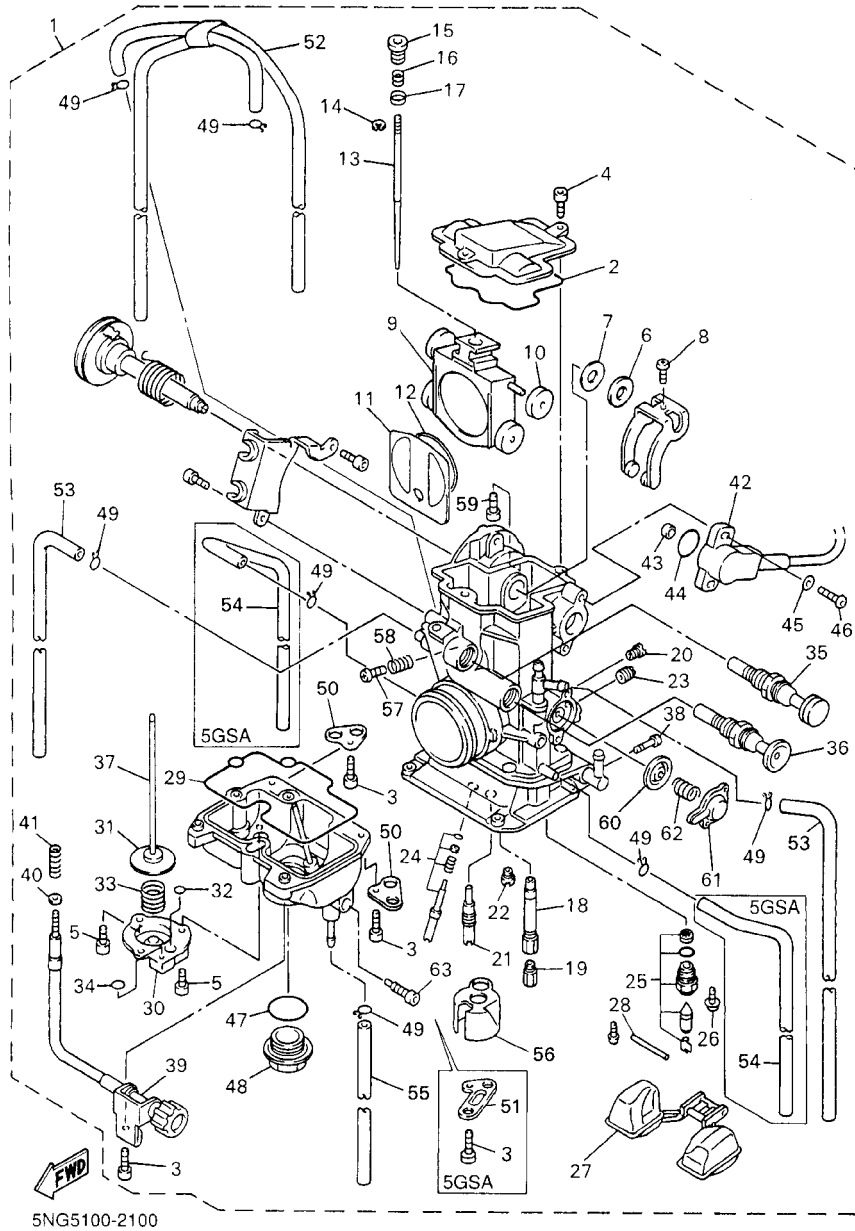
REF. NO.	PART NO.	DESCRIPTION	5NG5	5NG6	5NG8	5GSA	REMARKS
28	5BE-1441E-10	COVER, CLEANER CASE 2	1	1	1	1	
29	5BF-1443E-00	PIPE, DRAIN	1	1	1	1	
30	90467-17089	CLIP	1	1	1	1	
31	90201-03313	WASHER, PLATE	5	5	5	5	
32	90183-06023	NUT, SPRING	2	2	2	2	
33	95027-06012	BOLT, FLANGE	1	1	1	1	
34	5JG-14417-00	COVER 1	1	1	1	1	AP

FIG. 10 CARBURETOR



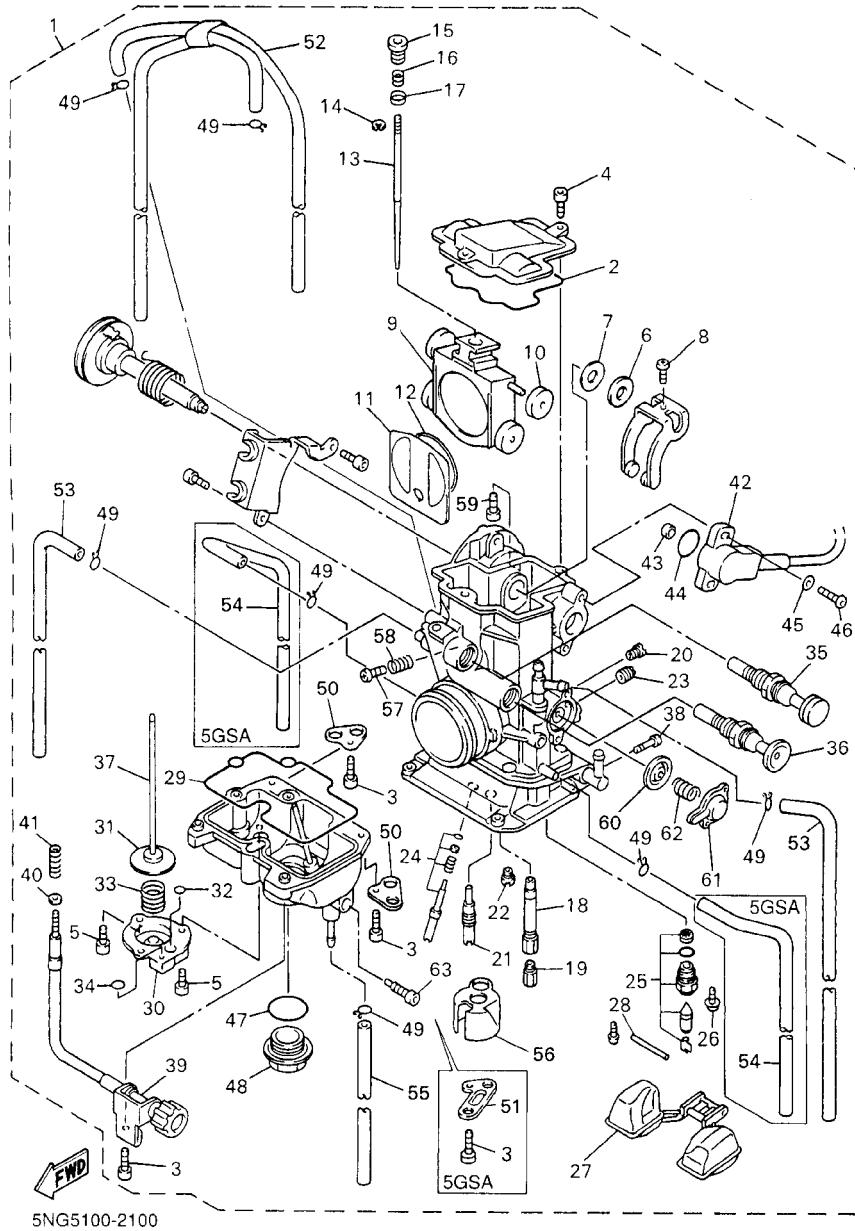
REF. NO.	PART NO.	DESCRIPTION	5NG5	5NG6	5NG8	5GSA	REMARKS
1	5NG-14101-60	CARBURETOR ASSY 1			1		
2	5JG-14959-00	.GASKET	1	1	1	1	
3	91316-04012	.BOLT	4	4	4	4	
4	91316-04012	.BOLT	2	2	2	2	
5	91316-04008	.BOLT	3	3	3	3	
6	90202-08045	.WASHER, PLATE	1	1	1	1	
7	5JG-14951-00	.WASHER	1	1	1	1	
8	5JG-14522-00	.SCREW, ADJUST	1	1	1	1	
9	5JG-14388-00	.VALVE, VACUUM CONTROL	1	1	1	1	
10	3TJ-14267-40	.ROLLER	1	1	1	1	
11	5JG-14546-01	.VALVE, NEEDLE	1	1	1	1	
12	4FN-14997-00	.SEAL	1	1	1	1	
13	5GS-14916-1R	.NEEDLE (#DQR)			1		STD
	5GS-14916-1U	.NEEDLE (#DQU)		1	1		AP
	5GS-14916-1T	.NEEDLE (#DQT)		1	1		AP

FIG. 10 CARBURETOR



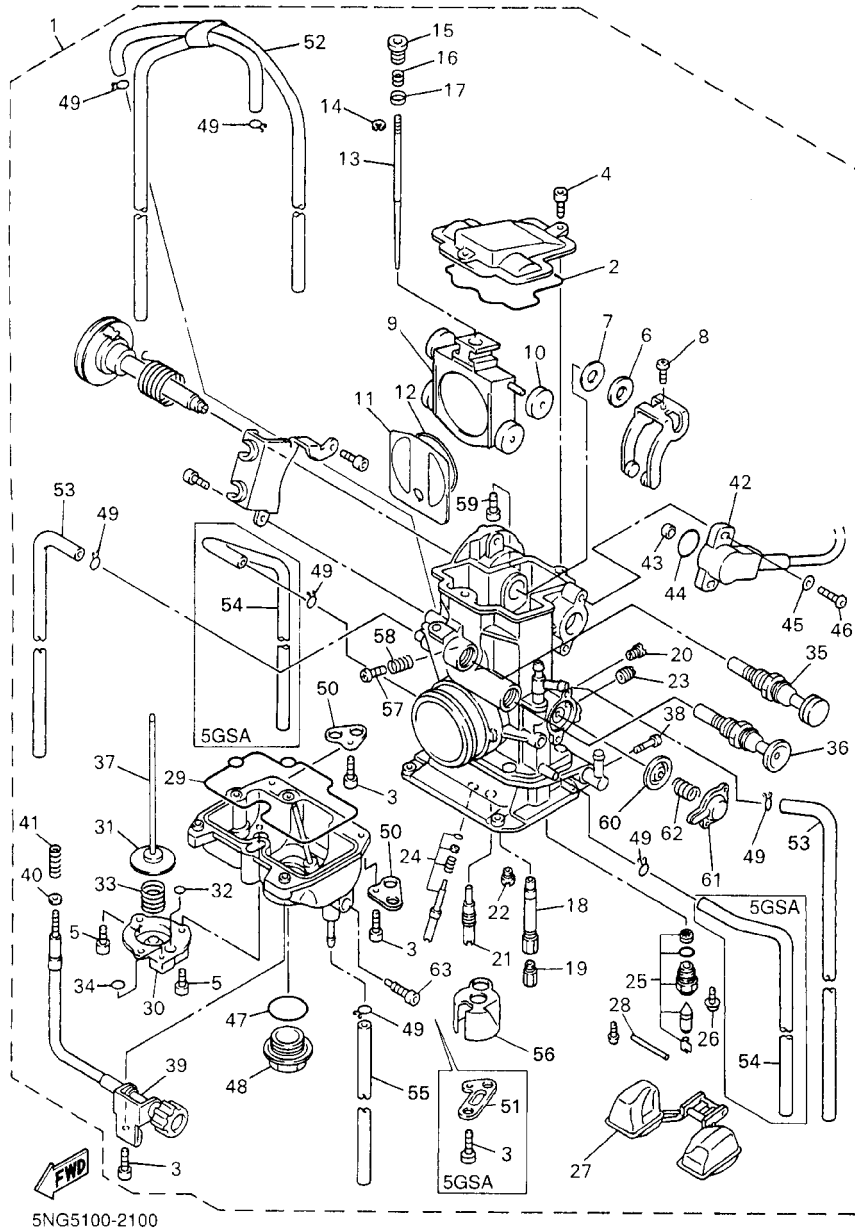
REF. NO.	PART NO.	DESCRIPTION	5NG5	5NG6	5NG8	5GSA	REMARKS
13	5GS-14916-1S	.NEEDLE (#DQS)		1	1		AP
	5GS-14916-11	.NEEDLE (#DQQ)		1	1		AP
	5GS-14916-1P	.NEEDLE (#DQP)		1	1		AP
	5GS-14916-1N	.NEEDLE (#DQN)		1	1		AP
14	3TJ-14159-40	.CLIP	1	1	1	1	
15	5JG-14521-00	.SCREW, ADJUST	1	1	1	1	
16	5JG-14275-00	.SPRING	1	1	1	1	
17	5JG-14264-00	.COLLAR	1	1	1	1	
18	5JG-14947-00	.NOZZLE, MAIN	1	1	1	1	
19	4MX-14943-40	.JET, MAIN (#165)	1	1	1	1	STD
	4MX-14943-38	.JET, MAIN (#155)	1	1	1	1	AP
	4MX-14943-89	.JET, MAIN (#158)	1	1	1	1	AP
	4MX-14943-39	.JET, MAIN (#160)	1	1	1	1	AP
	4MX-14943-90	.JET, MAIN (#162)	1	1	1	1	AP
	4MX-14943-91	.JET, MAIN (#168)	1	1	1	1	AP
	4MX-14943-41	.JET, MAIN (#170)	1	1	1	1	AP
	4MX-14943-92	.JET, MAIN (#172)	1	1	1	1	AP
	4MX-14943-42	.JET, MAIN (#175)	1	1	1	1	AP
	4MX-14943-93	.JET, MAIN (#178)	1	1	1	1	AP
20	3TJ-14943-47	.JET (#200)	1	1	1	1	
21	4MX-14948-04	.JET, SLOW (#42)	1	1	1	1	STD
	4MX-14948-02	.JET, SLOW (#38)	1	1	1	1	AP
	4MX-14948-03	.JET, SLOW (#40)	1	1	1	1	AP
	4MX-14948-05	.JET, SLOW (#45)	1	1	1	1	AP
	4MX-14948-06	.JET, SLOW (#48)	1	1	1	1	AP
22	3TJ-1494F-13	.JET (#65)	1	1	1	1	STD
	3TJ-1494F-10	.JET (#58)	1	1	1	1	AP

FIG. 10 CARBURETOR



REF. NO.	PART NO.	DESCRIPTION	5NG5	5NG6	5NG8	5GSA	REMARKS
22	3TJ-1494F-11	.JET (#60)	1	1	1	1	AP
	3TJ-1494F-12	.JET (#62)	1	1	1	1	AP
	3TJ-1494F-14	.JET (#68)	1	1	1	1	AP
	3TJ-1494F-15	.JET (#70)	1	1	1	1	AP
23	7A9-14943-17	.JET (#75)	1	1	1	1	STD
	7A9-14943-11	.JET (#60)	1	1	1	1	AP
24	3TJ-14105-40	.PILOT SCREW SET	1	1	1	1	
25	5BE-14107-00	.NEEDLE VALVE SET	1	1	1	1	
26	5BE-14216-00	.SCREW	1	1	1	1	
27	4SR-14985-00	.FLOAT	1	1	1	1	
28	676-14548-00	.PIN, FLOAT ARM	1	1	1	1	
29	5JG-14984-00	.GASKET, FLOAT CHAMBER	1	1	1	1	
30	3TJ-14293-40	.COVER 1	1	1	1	1	
31	5JG-14940-18	.DIAPHRAGM ASSY	1	1	1	1	STD
	5JG-14940-17	.DIAPHRAGM ASSY	1	1	1	1	AP
	5JG-14940-19	.DIAPHRAGM ASSY	1	1	1	1	AP
32	3TJ-14536-40	.GASKET	2	2	2	2	
33	5GS-14933-40	.SPRING, DIAPHRAGM	1	1	1	1	
34	6H4-14561-00	.O-RING	1	1	1	1	
35	5JG-14171-00	.PLUNGER, STARTER	1	1	1	1	
36	5JG-14371-00	.PLUNGER, STARTER	1	1	1	1	
37	5JG-14379-00	.ROD, STARTER	1	1	1	1	
38	3TJ-14325-40	.SCREW, PAN HEAD	1	1	1	1	
39	5JG-14922-00	.SCREW, THROTTLE	1	1	1	1	
40	90201-08410	.WASHER, PLATE	1	1	1	1	
41	4FN-14934-00	.SPRING, THROTTLE STOP	1	1	1	1	
42	5JG-85885-00	.THROTTLE SENSOR ASSY	1	1	1	1	

FIG. 10 CARBURETOR



REF. NO.	PART NO.	DESCRIPTION	5NG5	5NG6	5NG8	5GSA	REMARKS
43	5BE-14449-00	.COLLAR	1	1	1	1	
44	5BE-14562-00	.O-RING	1	1	1	1	
45	4YR-14557-00	.WASHER	2	2	2	2	
46	4YR-14216-00	.SCREW	2	2	2	2	
47	4MX-14561-00	.O-RING	1	1	1	1	
48	4MX-14115-00	.PLUG, SCREW	1	1	1	1	
49	3TJ-14137-40	.CLIP	5	5	5	5	
50	5BE-14146-00	.PLATE	2	2	2	1	
51	NOT APPLICABLE						
52	5JG-14196-00	.PIPE	1	1	1		
53	5JG-14197-00	.PIPE	2	2	2	2	
54	NOT APPLICABLE						
55	5JG-14987-00	.HOSE	1	1	1	1	
56	5JG-14346-00	.PLATE	1	1	1	1	
57	5JG-14565-00	.SCREW	1	1	1	1	
58	5JG-14531-00	.SPRING, ADJUST SCREW	1	1	1	1	
59	5JG-14591-00	.SCREW	1	1	1	1	
60	5GS-14940-00	.DIAPHRAGM ASSY	1	1	1	1	
61	5GS-14958-00	.COVER, DIAPHRAGM	1	1	1	1	
62	5GS-14933-00	.SPRING, DIAPHRAGM	1	1	1	1	
63	3TJ-14191-40	.PLUG, DRAIN	1	1	1	1	

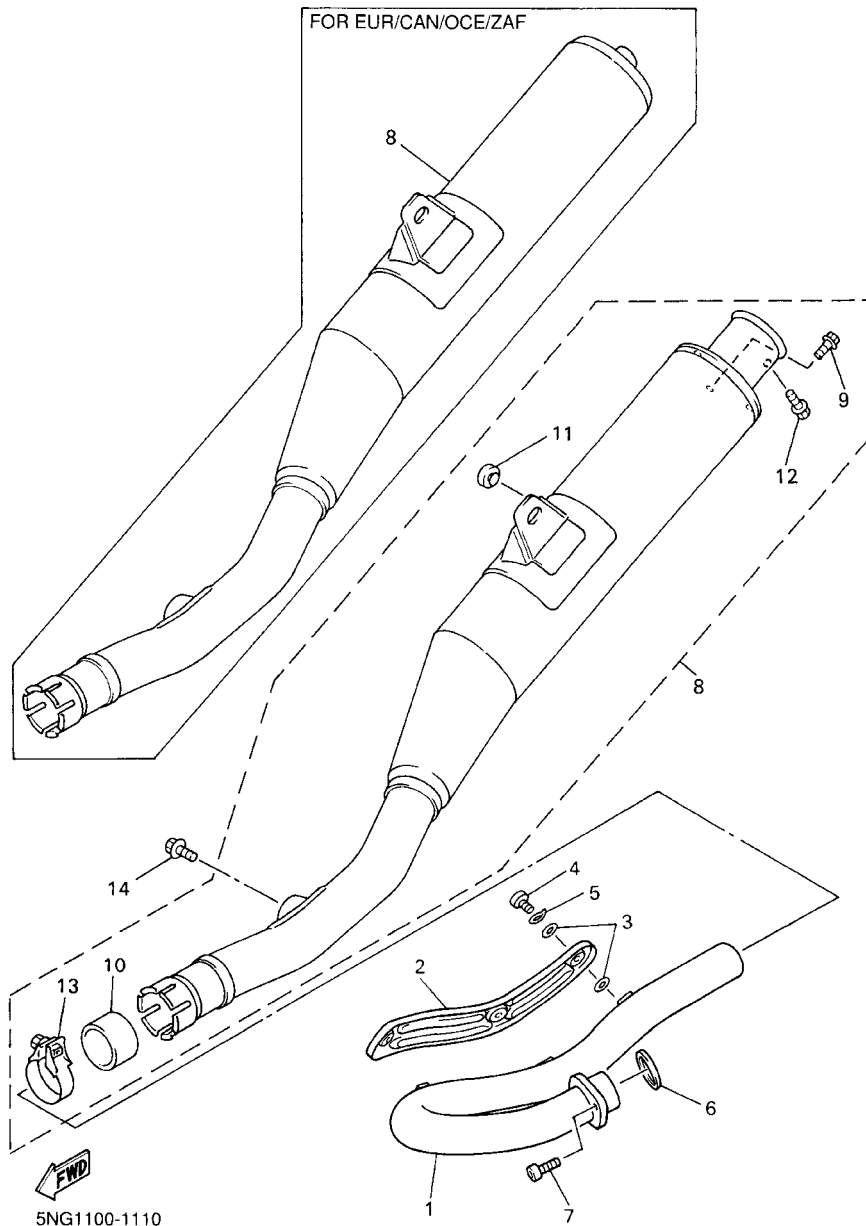


FIG. 11 EXHAUST

REF. NO.	PART NO.	DESCRIPTION	5NG5	5NG6	5NG8	5GSA	REMARKS
1	5JG-14611-00	PIPE, EXHAUST 1	1	1	1		
2	5JG-14628-00	PROTECTOR, EXHAUST PIPE	1	1	1		
3	4BD-14766-00	WASHER, PROTECTOR	6	6	6	6	
4	98980-06008	SCREW, BIND	3	3	3	3	
5	90206-06090	WASHER, WAVE	3	3	3	3	
6	3VD-14613-00	GASKET, EXHAUST PIPE	1	1	1	1	
7	91317-08020	BOLT	1	1	1	1	
8	5NG-14710-10	MUFFLER ASSY 1	1	1	1		
9	NOT APPLICABLE						
10	3GW-14714-00	GASKET, MUFFLER	1	1	1	1	
11	22W-24181-00	DAMPER, LOCATING 1	1	1	1	1	
12	NOT APPLICABLE						
13	5BE-14788-00	BAND, SILENCER	1	1	1	1	
14	95817-08014	BOLT, FLANGE	2	2	2	2	

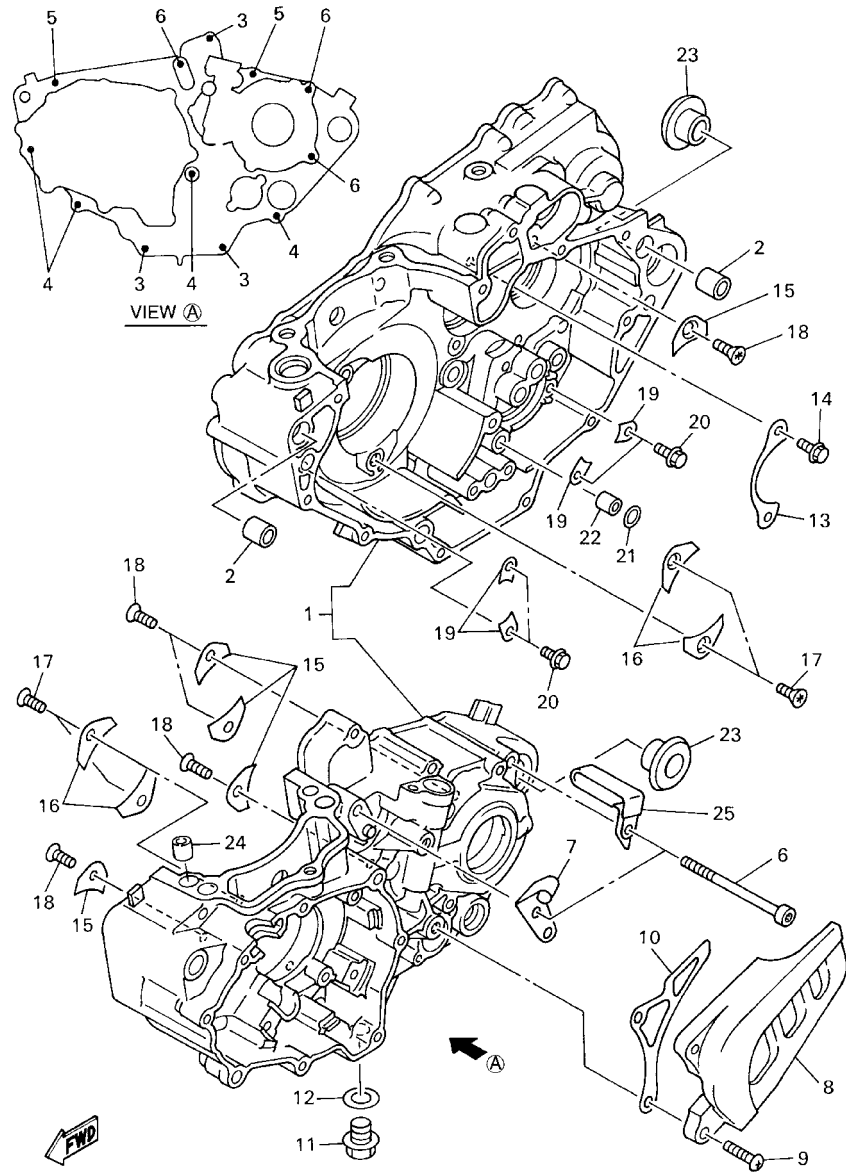
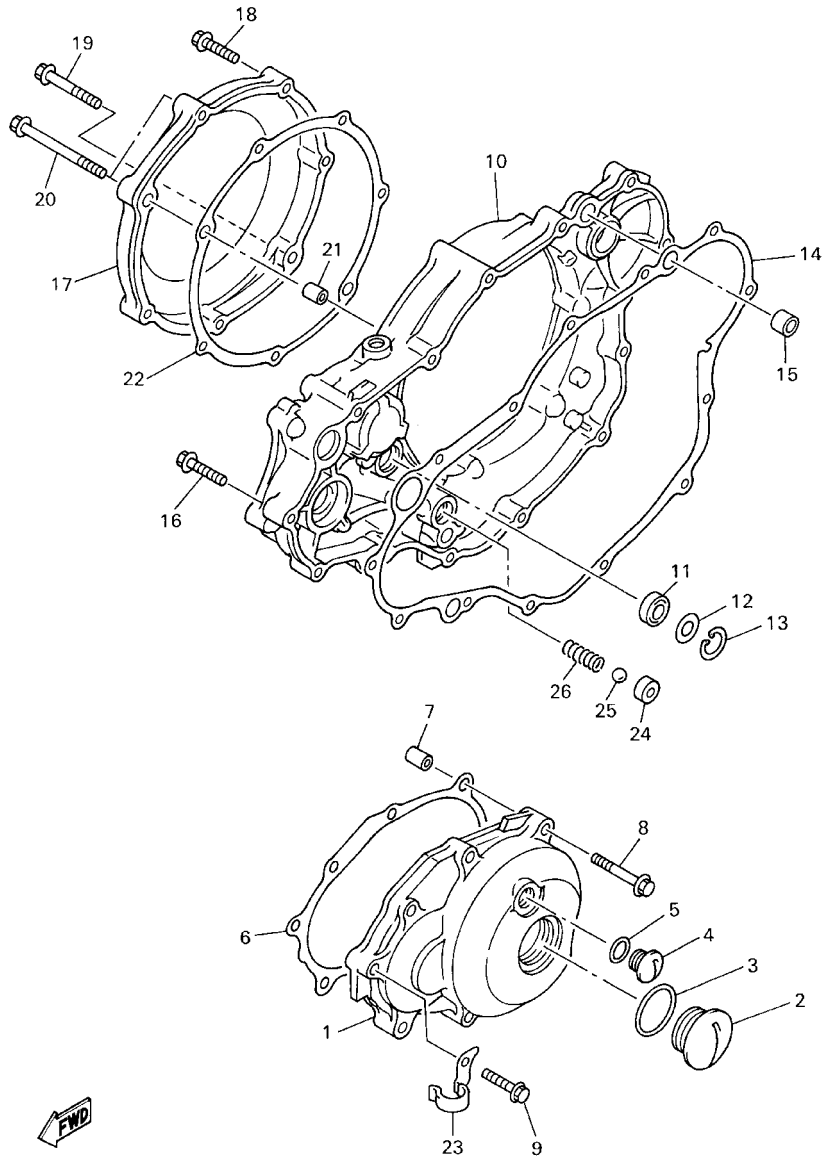


FIG. 12 CRANKCASE

REF. NO.	PART NO.	DESCRIPTION	5NG5	5NG6	5NG8	5GSA	REMARKS
1	5SF-15150-00	CRANKCASE ASSY	1	1	1	1	
2	99530-14016	PIN, DOWEL	2	2	2	2	
3	91317-06040	BOLT	3	3	3	3	
4	91317-06050	BOLT	4	4	4	4	
5	91317-06060	BOLT	2	2	2	2	
6	91317-06075	BOLT	3	3	3	3	
7	5JG-15441-01	HOLDER, CLUTCH CABLE	1	1	1		
8	5BE-15421-00	COVER, CRANKCASE 2	1	1	1	1	
9	98507-06025	SCREW, PAN HEAD	2	2	2	2	
10	5BE-17466-10	GUIDE, CHAIN	1	1	1	1	
11	90340-12059	PLUG, STRAIGHT SCREW	1	1	1	1	
12	90430-12213	GASKET	1	1	1	1	
13	4L0-17471-00	PLATE, COVER	1	1	1	1	
14	90105-06553	BOLT, FLANGE	2	2	2	2	
15	4JT-15381-01	PLATE, BEARING COVER	5	5	5	5	
16	5BE-15383-01	PLATE, BEARING COVER	4	4	4	4	
17	90149-06126	SCREW	4	4	4	4	
18	90149-06326	SCREW	5	5	5	5	
19	5DH-18562-00	PLATE, STOPPER 2	4	4	4	4	
20	90105-06553	BOLT, FLANGE	4	4	4	4	
21	93210-10197	O-RING	1	1	1	1	
22	99530-10114	PIN, DOWEL	1	1	1	1	
23	90387-18007	COLLAR	2	2	2	2	
24	99530-10116	PIN, DOWEL	2	2	2	2	
25	90461-10136	CLAMP	1	1	1	1	

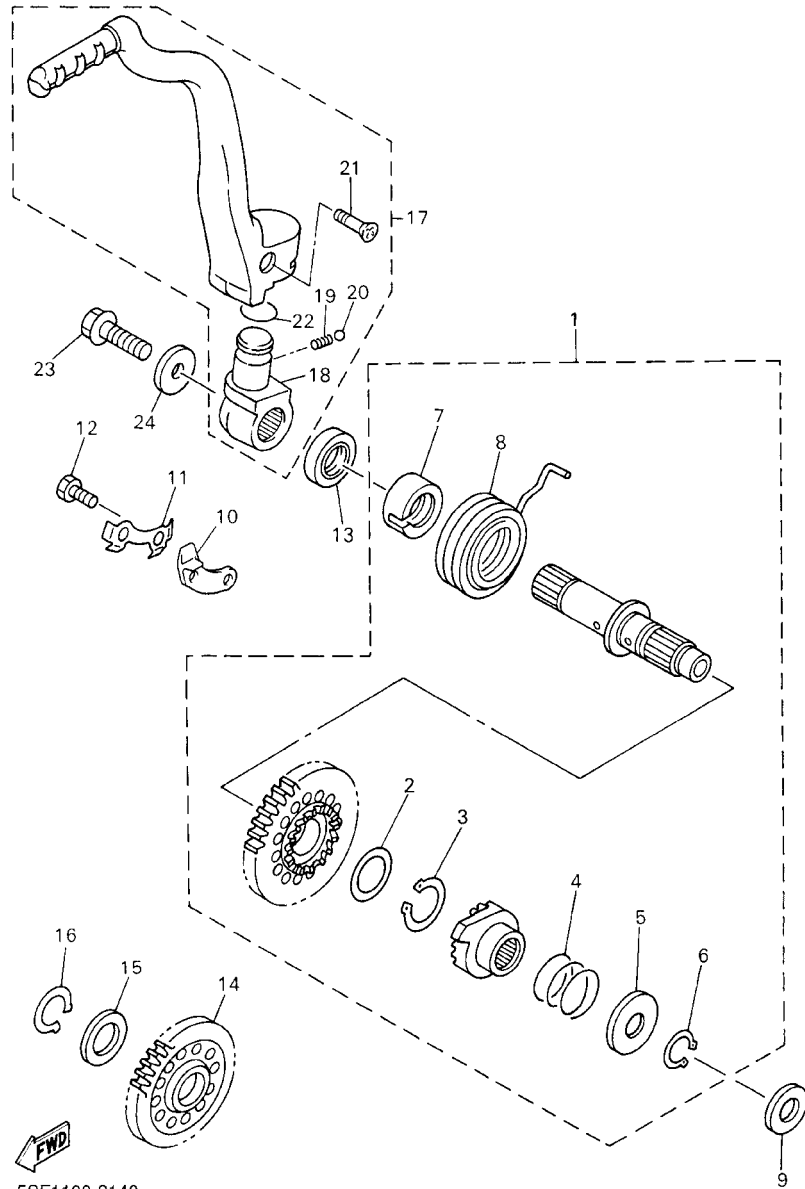
FIG. 13 CRANKCASE COVER 1



FWD
5BE100-8130

REF. NO.	PART NO.	DESCRIPTION	5NG5	5NG6	5NG8	5GSA	REMARKS
1	5BE-15411-00	COVER, CRANKCASE 1	1	1	1	1	
2	90340-32123	PLUG, STRAIGHT SCREW	1	1	1	1	
3	93210-32172	O-RING	1	1	1	1	
4	90340-14128	PLUG, STRAIGHT SCREW	1	1	1	1	
5	93210-14369	O-RING	1	1	1	1	
6	5BE-15451-00	GASKET, CRANKCASE COVER 1	1	1	1	1	
7	99530-08016	PIN, DOWEL	2	2	2	2	
8	95027-06040	BOLT, FLANGE	2	2	2	2	
9	95027-06030	BOLT, FLANGE	6	6	6	6	
10	5JG-15431-00	COVER, CRANKCASE 3	1	1	1	1	
11	93101-14164	OIL SEAL	1	1	1	1	
12	90201-15701	WASHER, PLATE (1.0T)	1	1	1	1	
13	99009-22500	CIRCLIP	1	1	1	1	
14	5BE-15462-00	GASKET, CRANKCASE COVER 3	1	1	1	1	
15	91812-16001	PIN, DOWEL	2	2	2	2	
16	95027-06030	BOLT, FLANGE	10	10	10	10	
17	5JG-15415-00	COVER, GENERATOR	1	1	1	1	
18	95027-06030	BOLT, FLANGE	4	4	4	4	
19	95027-06040	BOLT, FLANGE	1	1	1	1	
20	90105-065A1	BOLT, FLANGE	2	2	2	2	
21	99530-08016	PIN, DOWEL	2	2	2	2	
22	5JG-15453-00	GASKET	1	1	1	1	
23	90462-10241	CLAMP	1	1	1	1	
24	583-13113-00	SEAT, CHECK BALL	1	1	1	1	
25	93503-08007	BALL	1	1	1	1	
26	90501-043E0	SPRING, COMPRESSION	1	1	1	1	

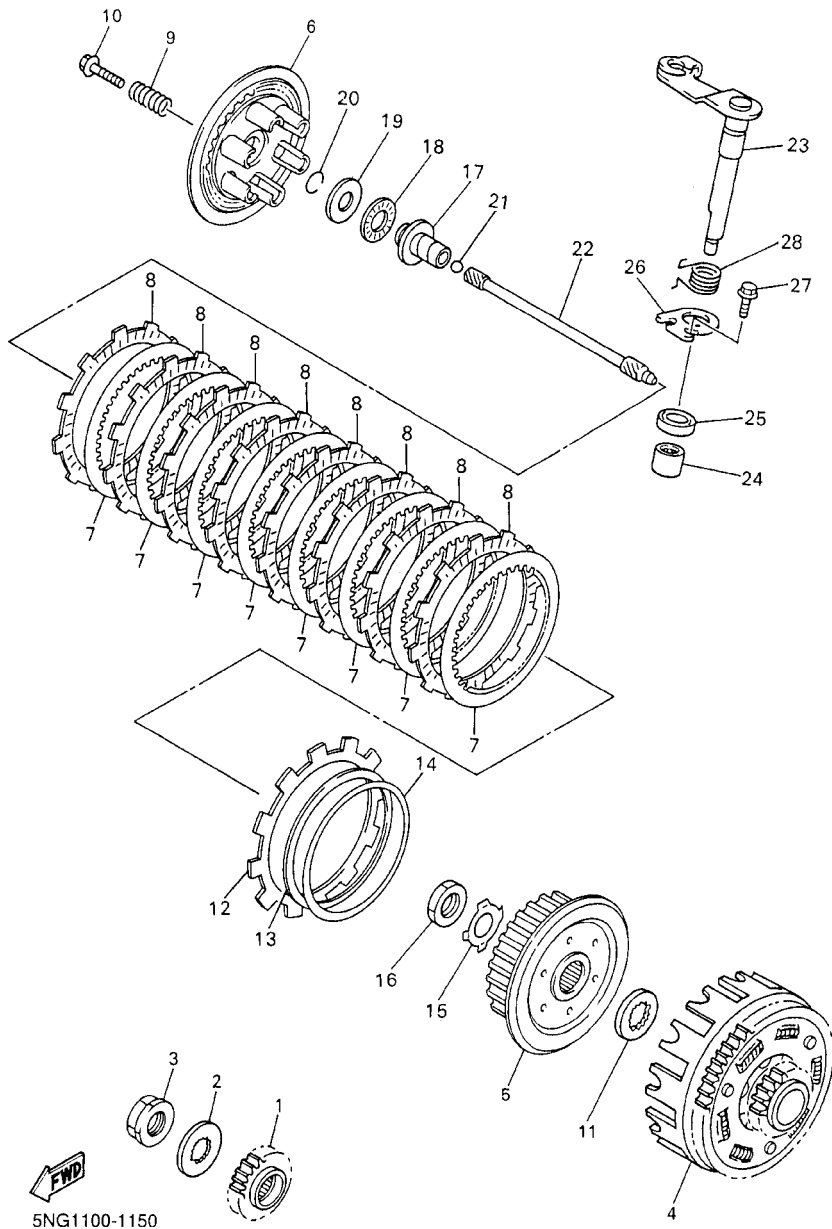
FIG. 14 STARTER



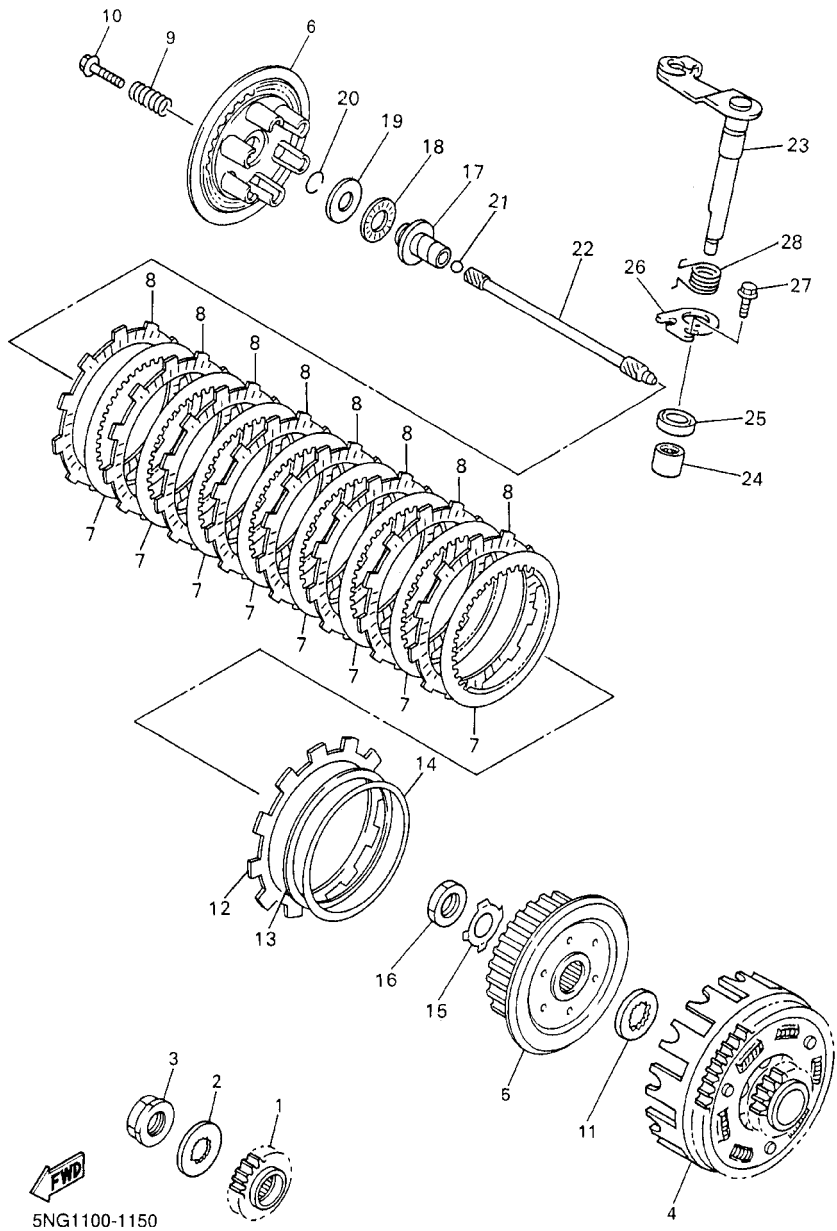
5SF1100-2140

REF. NO.	PART NO.	DESCRIPTION	5NG5	5NG6	5NG8	5GSA	REMARKS
1	5GR-15601-00	KICK SHAFT ASSY	1	1	1	1	
2	90201-20685	.WASHER, PLATE (0.5T)	1	1	1	1	
3	93410-20038	.CIRCLIP	1	1	1	1	
4	90501-16016	.SPRING, COMPRESSION	1	1	1	1	
5	90201-167P7	.WASHER, PLATE	1	1	1	1	
6	99009-16400	.CIRCLIP	1	1	1	1	
7	5GR-15664-00	.GUIDE, SPRING	1	1	1	1	
8	90508-30743	.SPRING, TORSION	1	1	1	1	
9	90201-162H4	WASHER, PLATE	1	1	1	1	
10	5SF-15668-00	STOPPER	1	1	1	1	
11	5BE-15686-01	WASHER, LOCK	1	1	1	1	
12	90101-06001	BOLT	2	2	2	2	
13	93102-20108	OIL SEAL	1	1	1	1	
14	5BE-15651-00	GEAR, KICK IDLE	1	1	1	1	
15	90201-20276	WASHER, PLATE (1.0T)	1	1	1	1	
16	99009-20400	CIRCLIP	1	1	1	1	
17	5BE-15620-02	KICK CRANK ASSY	1	1	1	1	
18	3SP-15621-02	.BOSS, KICK CRANK	1	1	1	1	
19	90501-13720	.SPRING, COMPRESSION	1	1	1	1	
20	93501-04011	.BALL	1	1	1	1	
21	90152-06010	.SCREW, COUNTERSUNK	1	1	1	1	
22	93210-19216	.O-RING	1	1	1	1	
23	90105-08752	BOLT, FLANGE	1	1	1	1	
24	90201-087A9	WASHER, PLATE	1	1	1	1	

FIG. 15 CLUTCH



REF. NO.	PART NO.	DESCRIPTION	5NG5	5NG6	5NG8	5GSA	REMARKS
1	5JG-16111-00	GEAR, PRIMARY DRIVE	1	1	1	1	
2	90215-21001	WASHER, LOCK	1	1	1	1	
3	90179-20001	NUT	1	1	1	1	
4	5JG-16150-10	PRIMARY DRIVEN GEAR COMP.	1	1	1		
5	5JG-16371-10	BOSS, CLUTCH	1	1	1		
6	5JG-16351-00	PLATE, PRESSURE 1	1	1	1		
7	5JG-16325-00	PLATE, CLUTCH 2	8	8	8		
8	3XK-16321-00	PLATE, FRICTION	8	8	8		
9	90501-22003	SPRING, COMPRESSION	6	6	6		
10	90159-06092	SCREW, WITH WASHER	6	6	6		
11	2JN-16154-00	PLATE, THRUST 1	1	1	1	1	
12	5JG-16321-00	PLATE, FRICTION	1	1	1		
13	5JG-16383-00	SPRING, CLUTCH BOSS	1	1	1		
14	5JG-16384-00	PLATE, SEAT	1	1	1		
15	90215-20231	WASHER, LOCK	1	1	1	1	
16	90170-20327	NUT	1	1	1	1	
17	5JG-16356-00	ROD, PUSH 1	1	1	1		
18	93340-21505	BEARING	1	1	1	1	

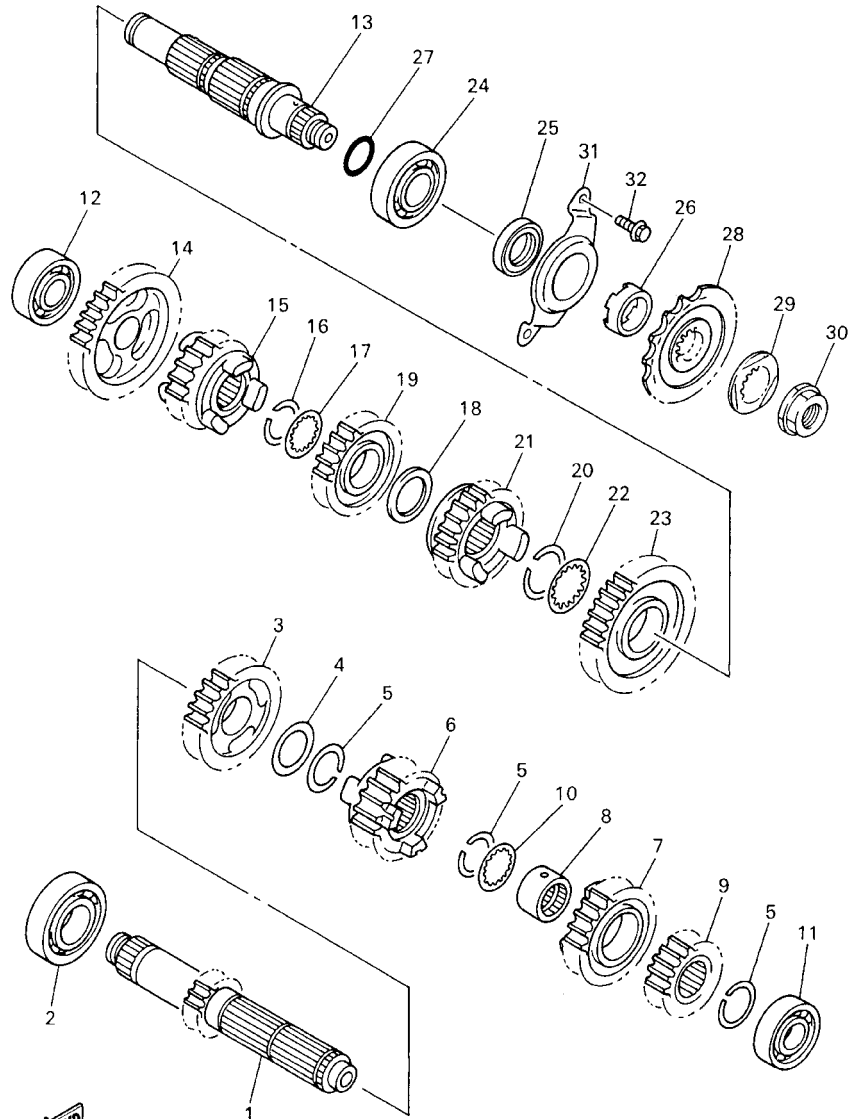


5NG1100-1150

FIG. 15 CLUTCH

REF. NO.	PART NO.	DESCRIPTION	5NG5	5NG6	5NG8	5GSA	REMARKS
19	90201-125L6	WASHER, PLATE	1	1	1	1	
20	93440-10085	CIRCLIP	1	1	1	1	
21	93511-32027	BALL	1	1	1		
22	5JG-16357-10	ROD, PUSH 2	1	1	1		
23	5JG-16381-00	PUSH LEVER COMP.	1	1	1		
24	93317-11287	BEARING	1	1	1	1	
25	93102-12224	OIL SEAL	1	1	1	1	
26	4JT-16384-00	PLATE, SEAT	1	1	1	1	
27	95027-06010	BOLT, FLANGE	1	1	1	1	
28	90508-142B5	SPRING, TORSION	1	1	1	1	

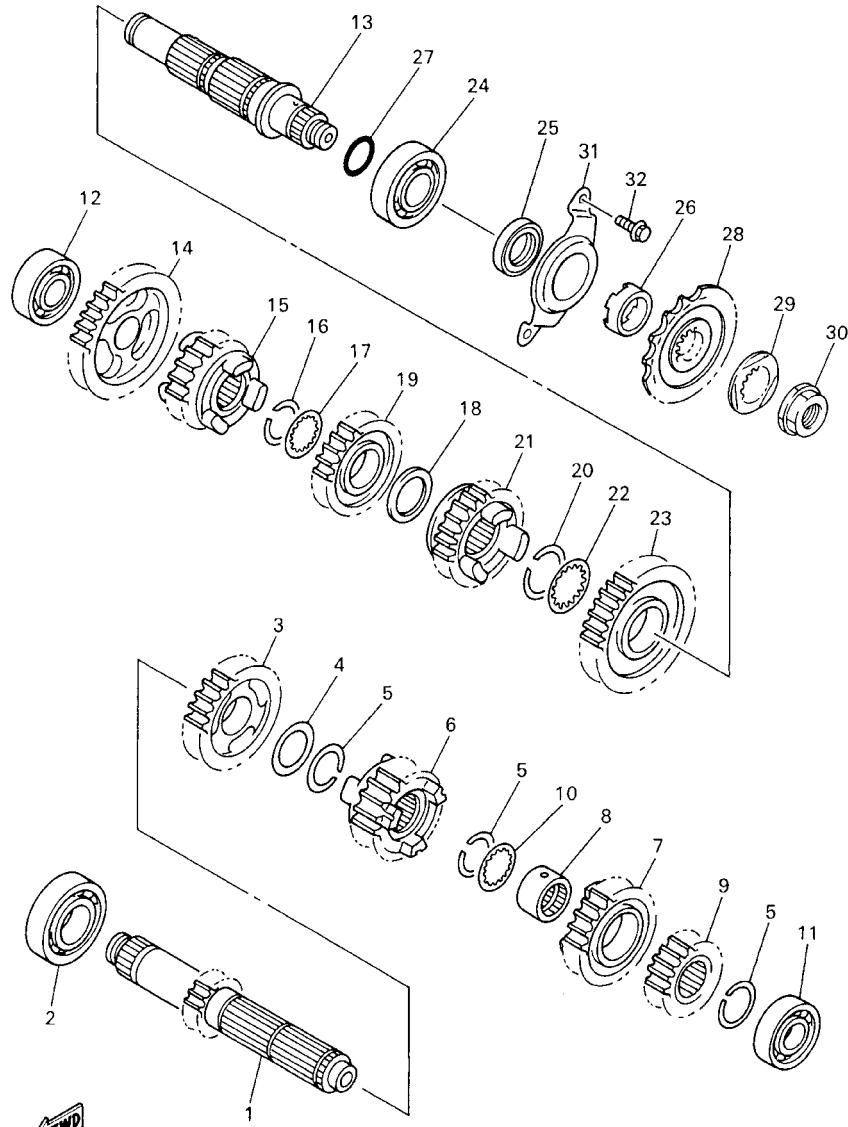
FIG. 16 TRANSMISSION



5GS5100-0160

REF. NO.	PART NO.	DESCRIPTION	5NG5	5NG6	5NG8	5GSA	REMARKS
1	5BF-17411-10	AXLE, MAIN	1	1	1	1	
2	93306-20532	BEARING	1	1	1	1	
3	5BF-17151-00	GEAR, 5TH PINION (25T)	1	1	1	1	
4	90201-253K0	WASHER, PLATE (T=1.0)	1	1	1	1	
5	93440-25084	CIRCLIP	3	3	3	3	
6	5BF-17131-20	GEAR, 3RD PINION (16T)	1	1	1	1	
7	5BF-17141-20	GEAR, 4TH PINION (20T)	1	1	1	1	
8	90387-2113G	COLLAR	1	1	1	1	
9	5BF-17121-00	GEAR, 2ND PINION (15T)	1	1	1	1	
10	90209-21332	WASHER	1	1	1	1	
11	93306-00431	BEARING	1	1	1	1	
12	93306-00426	BEARING	1	1	1	1	
13	5BE-17421-00	AXLE, DRIVE	1	1	1	1	
14	5BF-17211-00	GEAR, 1ST WHEEL (29T)	1	1	1	1	
15	5BF-17251-00	GEAR, 5TH WHEEL (21T)	1	1	1	1	
16	93440-25084	CIRCLIP	1	1	1	1	
17	90209-21332	WASHER	1	1	1	1	
18	90201-253K0	WASHER, PLATE (T=1.0)	1	1	1	1	
19	5BF-17231-00	GEAR, 3RD WHEEL (21T)	1	1	1	1	
20	93440-28062	CIRCLIP	1	1	1	1	
21	5BF-17241-00	GEAR, 4TH WHEEL (21T)	1	1	1	1	
22	90209-26348	WASHER	1	1	1	1	
23	5BF-17221-00	GEAR, 2ND WHEEL (26T)	1	1	1	1	
24	93306-20593	BEARING	1	1	1	1	
25	93102-32480	OIL SEAL	1	1	1	1	
26	90387-2513F	COLLAR	1	1	1	1	
27	93210-22164	O-RING	1	1	1	1	

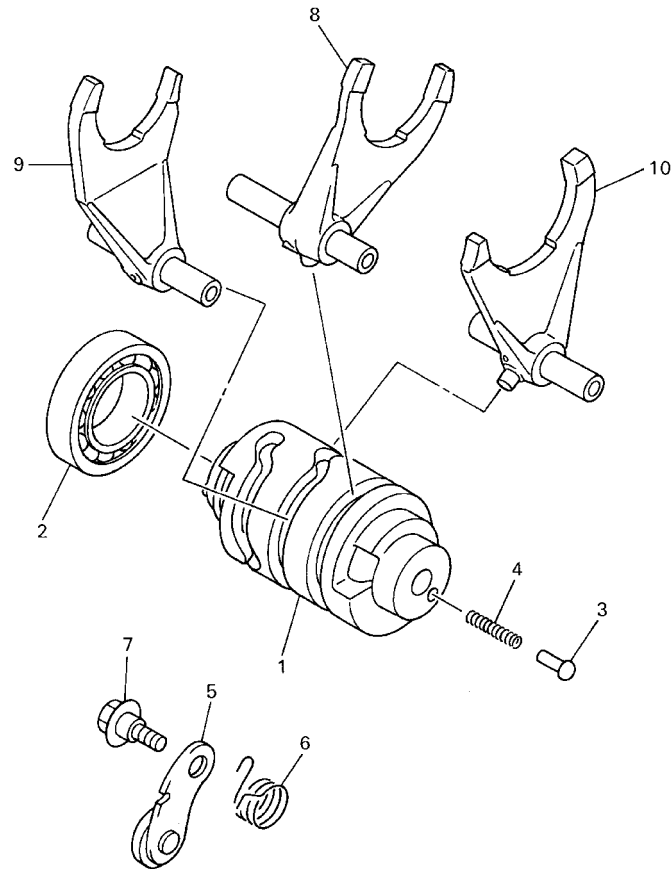
FIG. 16 TRANSMISSION



5GS5100-0160

REF. NO.	PART NO.	DESCRIPTION	5NG5	5NG6	5NG8	5GSA	REMARKS
28	5NG-17460-00	SPROCKET, DRIVE (14T)	1		1		STD
	9383E-15082	SPROCKET, DRIVE (15T)			1		AP
29	90215-21001	WASHER, LOCK	1	1	1	1	
30	90179-20001	NUT	1	1	1	1	
31	5GR-17471-00	PLATE, COVER	1	1	1	1	
32	90105-06553	BOLT, FLANGE	2	2	2	2	

FIG. 17 SHIFT CAM. FORK

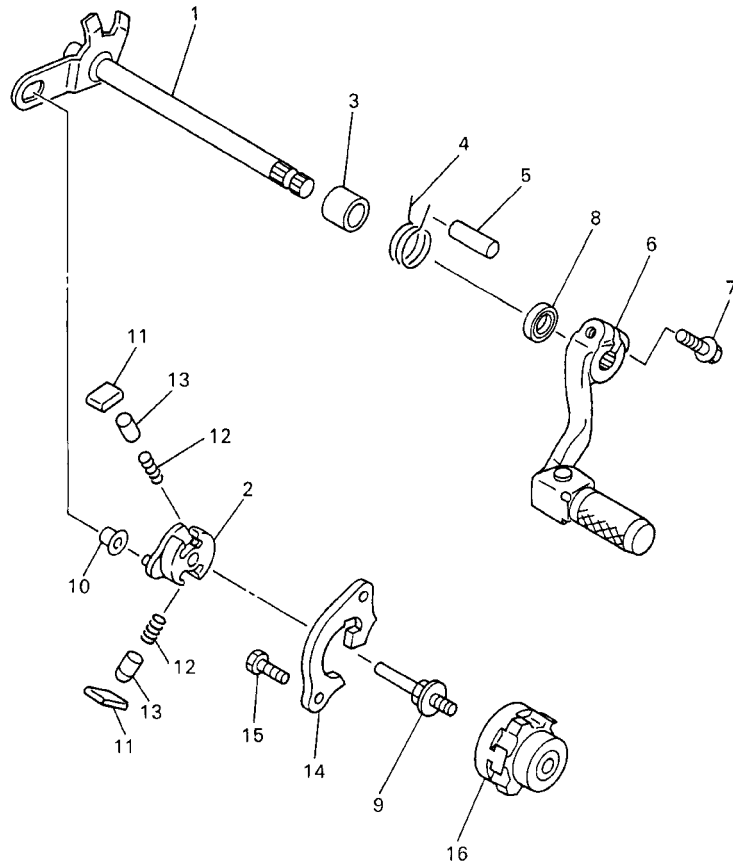


REF. NO.	PART NO.	DESCRIPTION	5NG5	5NG6	5NG8	5GSA	REMARKS
1	5JG-18541-00	CAM, SHIFT	1	1	1	1	
2	93306-90501	BEARING	1	1	1	1	
3	4BA-18542-00	POINT, NEUTRAL	1	1	1	1	
4	90501-06022	SPRING, COMPRESSION	1	1	1	1	
5	3XK-18140-00	STOPPER LEVER ASSY	1	1	1	1	
6	90508-26561	SPRING, TORSION	1	1	1	1	
7	90109-063F8	BOLT	1	1	1	1	
8	5BE-18501-20	FORK, SHIFT 1	1	1	1	1	
9	5BE-18502-20	FORK, SHIFT 2	1	1	1	1	
10	5BE-18503-20	FORK, SHIFT 3	1	1	1	1	



5BE100-8170

FIG. 18 SHIFT SHAFT



REF. NO.	PART NO.	DESCRIPTION	5NG5	5NG6	5NG8	5GSA	REMARKS
1	3XK-18101-02	SHIFT SHAFT ASSY	1	1	1	1	
2	5LP-18122-00	LEVER, SHIFT 2	1	1	1	1	
3	90387-124F4	COLLAR	1	1	1	1	
4	90508-291A8	SPRING, TORSION	1	1	1	1	
5	93608-33002	PIN, DOWEL	1	1	1	1	
6	5BE-18110-00	SHIFT PEDAL ASSY	1	1	1	1	
7	95027-06020	BOLT, FLANGE	1	1	1	1	
8	93102-12106	OIL SEAL (SD 12-22-5 HS)	1	1	1	1	
9	3XJ-18173-00	PIN, SHIFT	1	1	1	1	
10	3XJ-18178-00	ROLLER, SHIFT LEVER	1	1	1	1	
11	3XJ-18182-00	PAWL, SHIFTER	2	2	2	2	
12	90501-052G5	SPRING, COMPRESSION	2	2	2	2	
13	3XJ-18184-00	PIN, PAWL	2	2	2	2	
14	5BE-18172-00	GUIDE, SHIFT	1	1	1	1	
15	90101-06664	BOLT	2	2	2	2	
16	4EW-18185-00	SEGMENT	1	1	1	1	



5NG1100-1180

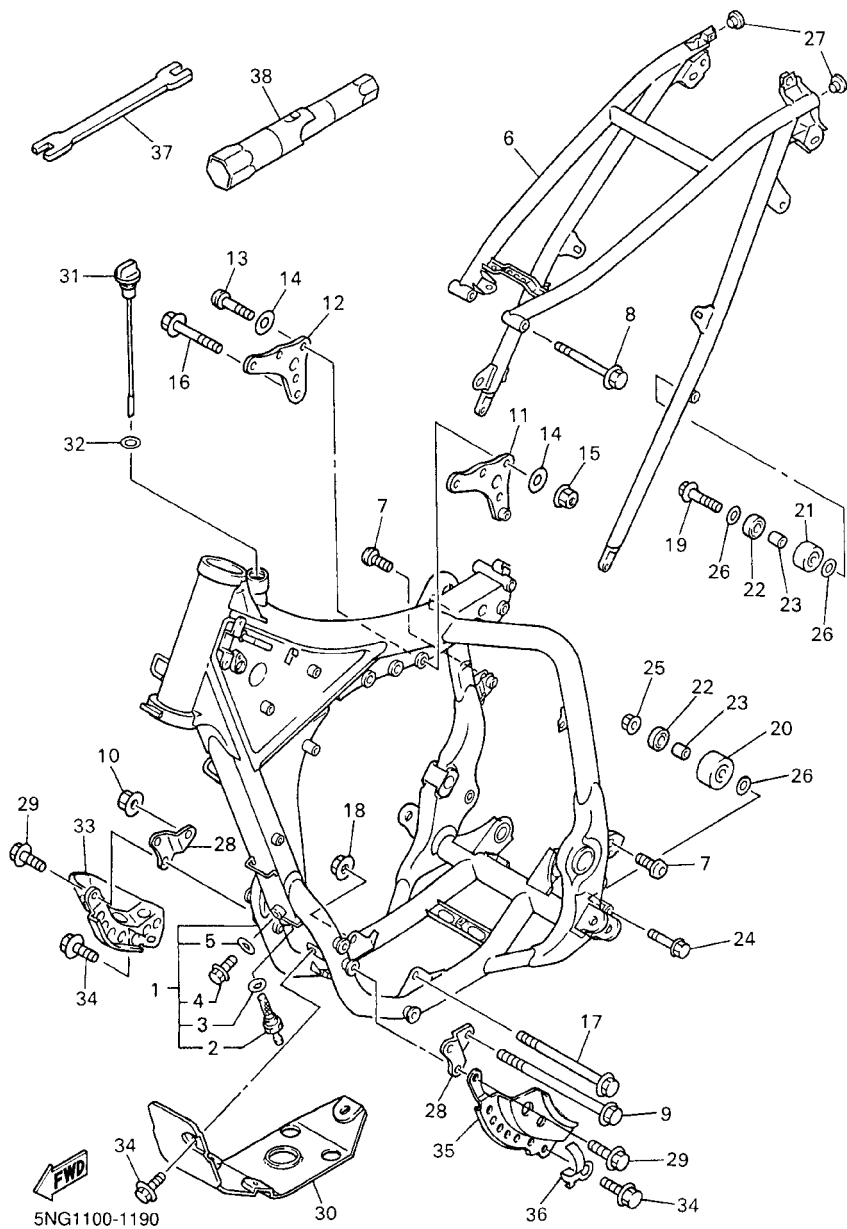


FIG. 19 FRAME

REF. NO.	PART NO.	DESCRIPTION	5NG5	5NG6	5NG8	5GSA	REMARKS
1	5NG-21101-50-P0	FRONT FRAME COMP.	1	1	1	1	DPBMC
2	5BE-21756-00	.NET, FILTER	1	1	1	1	
3	90430-18130	.GASKET	1	1	1	1	
4	95827-08012	.BOLT, FLANGE	1	1	1	1	
5	90430-08119	.GASKET	1	1	1	1	
6	5NG-21190-00-P0	REAR FRAME COMP.	1	1	1	1	DPBMC
7	90110-08096	BOLT, HEXAGON SOCKET HEAD	2	2	2	2	
8	90105-08099	BOLT, FLANGE	1	1	1	1	
9	95817-10160	BOLT, FLANGE	1	1	1	1	
10	90185-10002	NUT, SELF-LOCKING	1	1	1	1	
11	5GR-21425-01	BRACKET, REAR UPPER 1	1	1	1	1	
12	5BE-21425-01	BRACKET, REAR UPPER 1	1	1	1	1	
13	92017-08055	BOLT, BUTTON HEAD	3	3	3	3	
14	90201-086P8	WASHER, PLATE	6	6	6	6	
15	90185-08169	NUT, SELF-LOCKING	3	3	3	3	
16	95817-10050	BOLT, FLANGE	1	1	1	1	
17	90105-10733	BOLT, FLANGE	1	1	1	1	
18	90185-10002	NUT, SELF-LOCKING	1	1	1	1	
19	95027-08040	BOLT, FLANGE	1	1	1	1	
20	3JD-22178-10	TENSIONER	1	1	1	1	
21	4EW-22178-00	TENSIONER	1	1	1	1	
22	93300-60804	BEARING	2	2	2	2	
23	90387-086N4	COLLAR	2	2	2	2	
24	95027-08065	BOLT, FLANGE	1	1	1	1	
25	95707-08500	NUT, FLANGE	1	1	1	1	
26	90201-086P8	WASHER, PLATE	3	3	3	3	
27	90338-18176	PLUG	2	2	2	2	

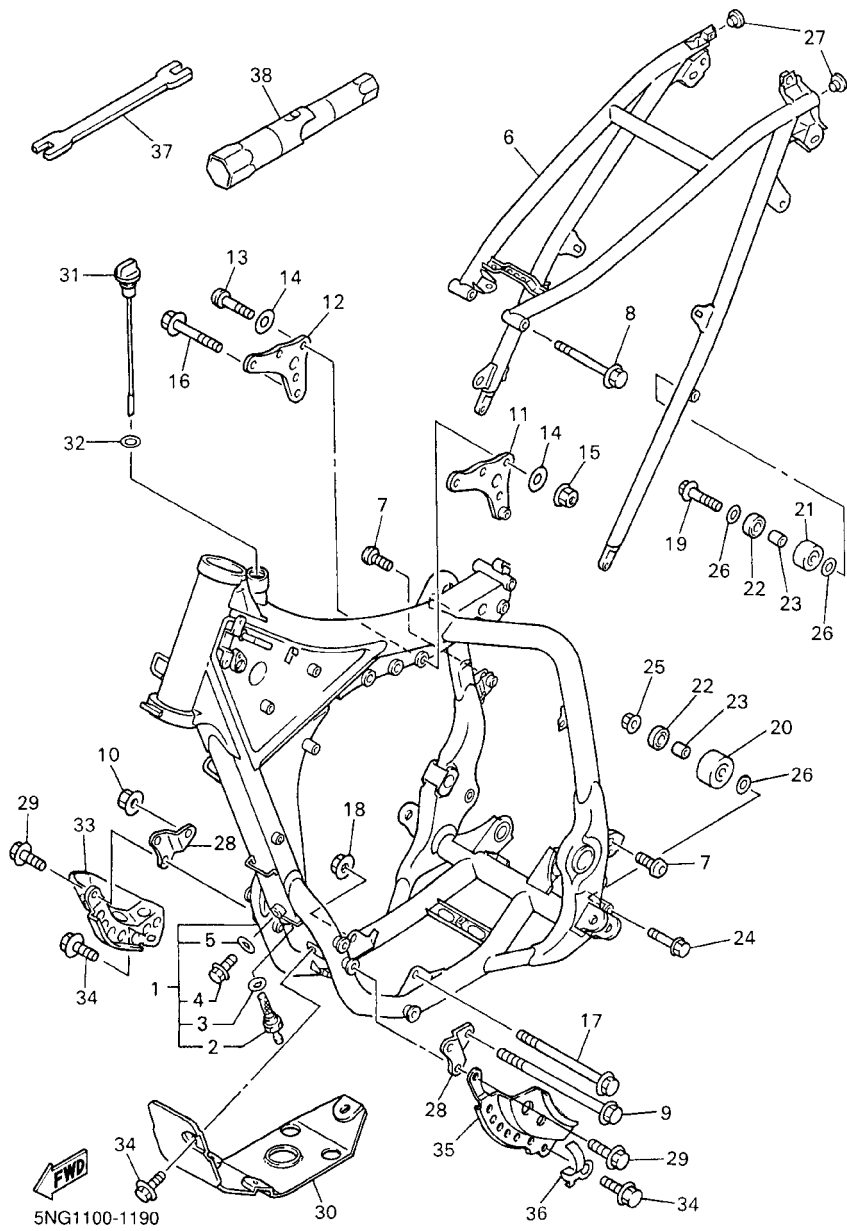
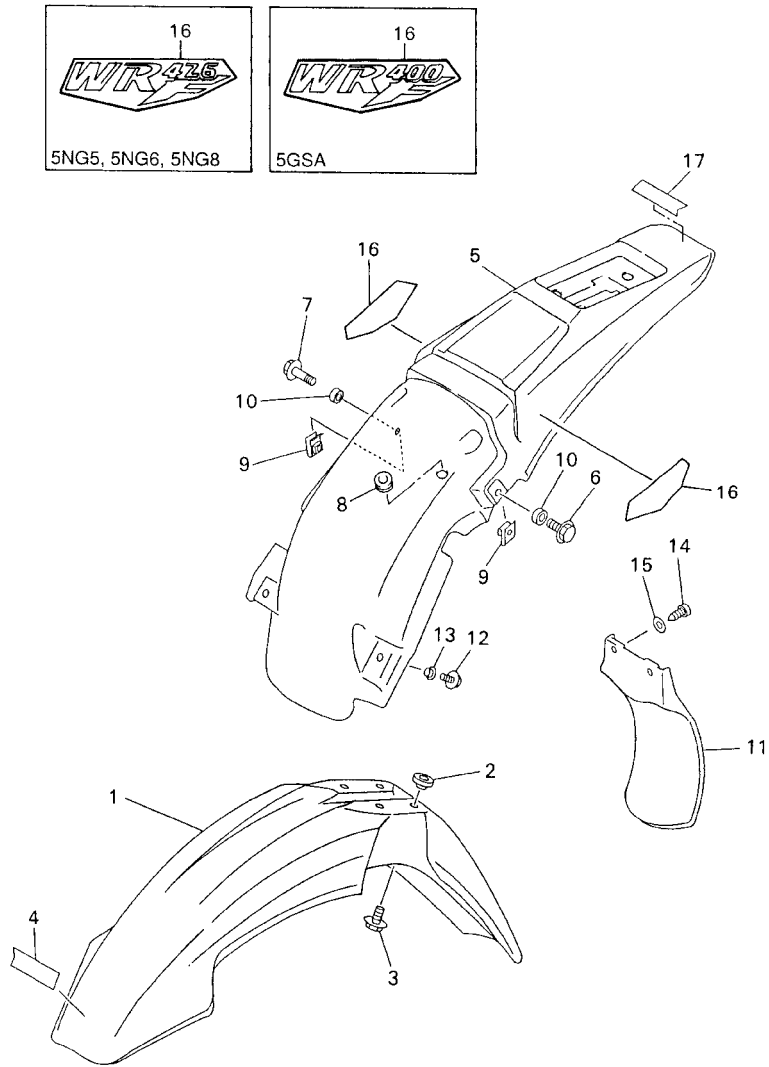


FIG. 19 FRAME

REF. NO.	PART NO.	DESCRIPTION	5NG5	5NG6	5NG8	5GSA	REMARKS
28	5BE-21417-00	BRACKET, FRONT LOWER 1	2	2	2	2	
29	95817-08016	BOLT, FLANGE	4	4	4	4	
30	5BE-21471-00	PROTECTOR, ENGINE	1	1	1	1	
31	5SF-15362-00	PLUG, OIL LEVEL	1	1	1	1	
32	93210-19123	O-RING	1	1	1	1	
33	5BE-2147A-00	GUARD, ENGINE 1	1	1	1	1	
34	95027-08012	BOLT, FLANGE	6	6	6	6	
35	5NG-2147A-10	GUARD, ENGINE 1	1	1	1	1	
36	5NG-21338-00	CLAMP	1	1	1	1	
37	5ET-28166-00	WRENCH, HEXAGON	1	1	1	1	
38	5BE-2814F-00	BOX, SPARK PLUG	1	1	1	1	

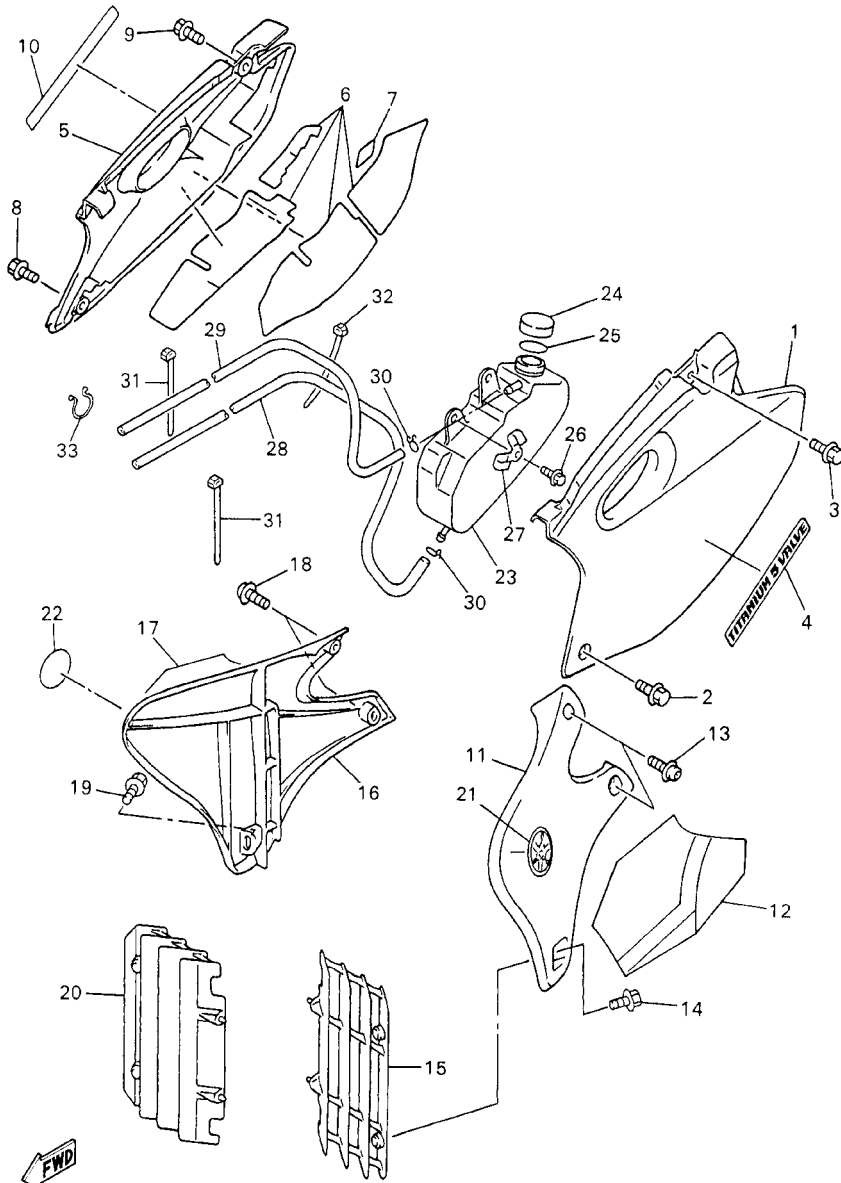
FIG. 20 FENDER



5NG5100-2200

REF. NO.	PART NO.	DESCRIPTION	5NG5	5NG6	5NG8	5GSA	REMARKS
1	5HD-21511-00	FENDER, FRONT	1	1	1	1	
2	3JD-21748-00	COLLAR	4	4	4	4	
3	90119-06096	BOLT, WITH WASHER	4	4	4	4	
4	4ES-2153E-01	EMBLEM, YAMAHA	1	1	1	1	
5	5BF-21611-00	FENDER, REAR	1	1	1	1	
6	90105-06154	BOLT, FLANGE	1	1	1	1	
7	90119-06038	BOLT, WITH WASHER	1	1	1	1	
8	90480-14323	GROMMET	1	1	1	1	
9	90183-06023	NUT, SPRING	2	2	2	2	
10	90387-0701A	COLLAR	2	2	2	2	
11	5BE-21642-00	GUARD, FLAP	1	1	1	1	
12	90105-06690	BOLT, FLANGE	2	2	2	2	
13	90387-06009	COLLAR	2	2	2	2	
14	97707-60016	SCREW, TAPPING	2	2	2	2	
15	90201-06557	WASHER, PLATE	2	2	2	2	
16	5NG-2163G-50	EMBLEM 1	2	2	2		
17	4ES-2153E-01	EMBLEM, YAMAHA	1	1	1	1	

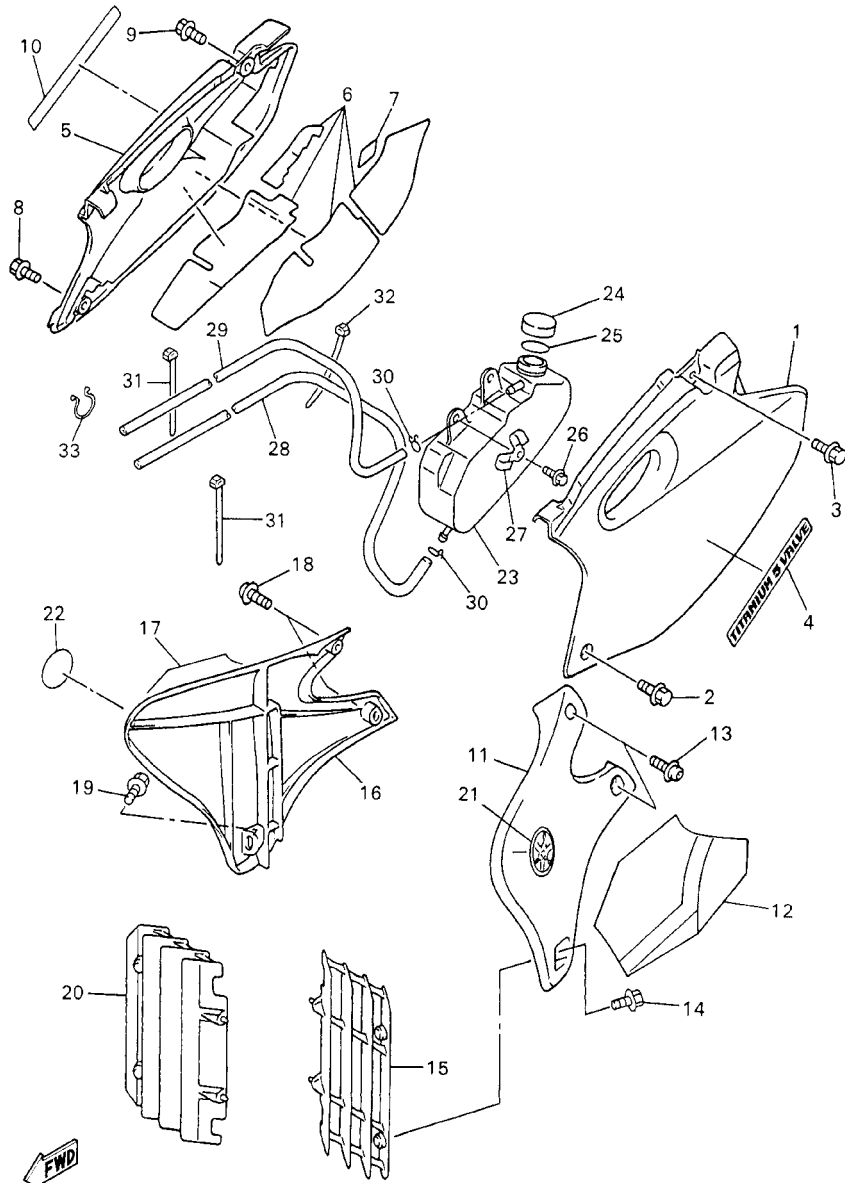
FIG. 21 SIDE COVER



5NG5100-2210

REF. NO.	PART NO.	DESCRIPTION	5NG5	5NG6	5NG8	5GSA	REMARKS
1	5BF-21711-00	COVER, SIDE 1	1	1	1	1	
2	95827-06016	BOLT, FLANGE	1	1	1	1	
3	90119-08238	BOLT, WITH WASHER	1	1	1	1	
4	5JG-21781-50	EMBLEM 1	1	1	1	1	
5	5BF-21721-00	COVER, SIDE 2	1	1	1	1	
6	5NG-2174A-50	INSULATOR, SIDE COVER	1	1	1	1	
7	3FY-21575-01	SEAL 1	1	1	1	1	
8	95827-06016	BOLT, FLANGE	1	1	1	1	
9	90119-08238	BOLT, WITH WASHER	1	1	1	1	
10	5JG-21781-50	EMBLEM 1	1	1	1	1	
11	5JG-21731-01	COVER, SIDE 3		1	1	1	UR FOR ZAF
12	5SF-2173E-01	GRAPHIC 1		1	1	1	
13	90159-06182	SCREW, WITH WASHER		2	2	2	
14	90159-06078	SCREW, WITH WASHER		1	1	1	
15	5JG-2172A-00	PANEL 1		1	1	1	
16	5JG-21741-01	COVER, SIDE 4		1	1	1	UR FOR ZAF
17	5SF-2173F-01	GRAPHIC 2		1	1	1	
18	90159-06182	SCREW, WITH WASHER		2	2	2	
19	90159-06078	SCREW, WITH WASHER		1	1	1	
20	5JG-2172A-00	PANEL 1		1	1	1	
21	5MV-2175C-00	TUNING FORK MARK		1	1	1	
22	5MV-2175C-00	TUNING FORK MARK		1	1	1	
23	5GS-21871-00	TANK, RECOVERY		1	1	1	
24	26H-21875-00	CAP		1	1	1	
25	26H-21874-00	GASKET		1	1	1	

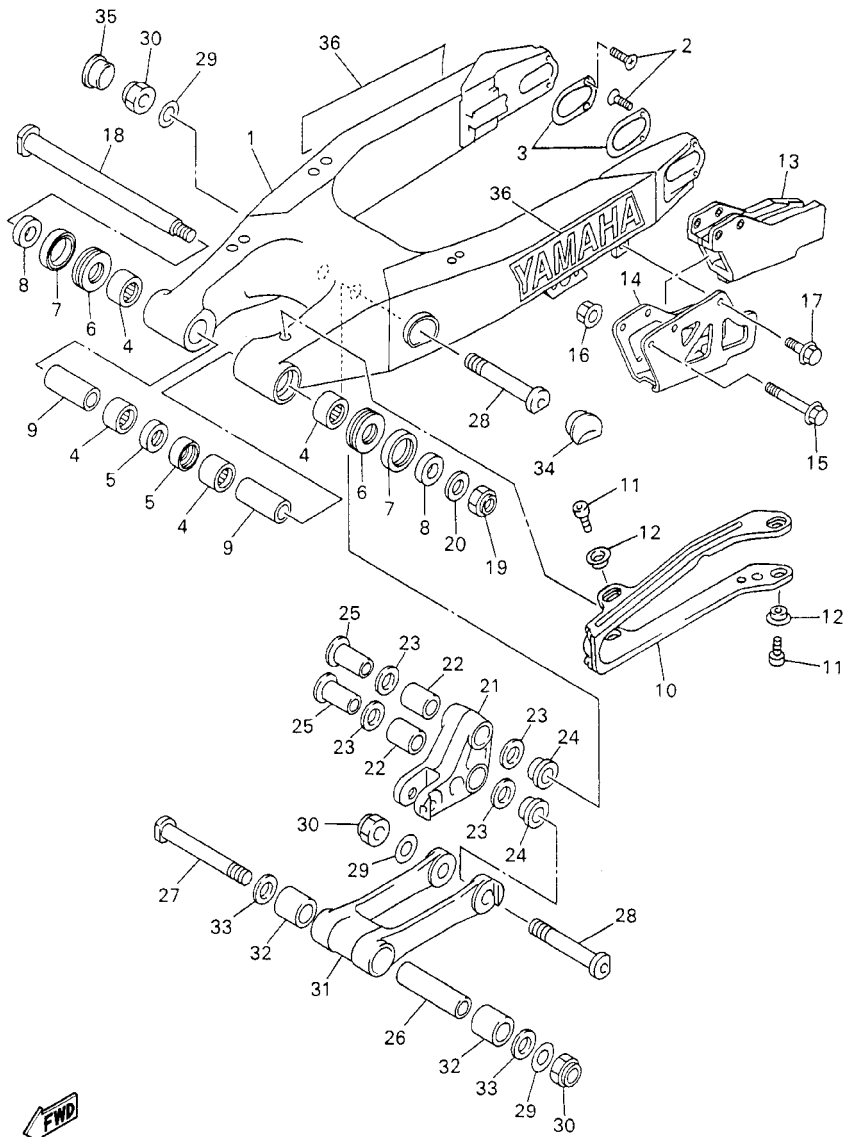
FIG. 21 SIDE COVER



5NG5100-2210

REF. NO.	PART NO.	DESCRIPTION	5NG5	5NG6	5NG8	5GSA	REMARKS
26	90119-06060	BOLT, WITH WASHER	1	1	1	1	
27	5BF-21823-00	CLAMP, HOSE	1	1	1	1	
28	91A20-05130	TUBE, FLEXIBLE VINYL	1	1	1	1	
29	91A21-05125	TUBE, FLEXIBLE	1	1	1	1	
30	90467-09006	CLIP	3	3	3	3	
31	90464-13077	CLAMP	2	2	2	2	
32	90464-13073	CLAMP	1	1	1	1	
33	90464-16039	CLAMP	1	1	1	1	

FIG. 22 REAR ARM



5NG5100-2220

REF. NO.	PART NO.	DESCRIPTION	5NG5	5NG6	5NG8	5GSA	REMARKS
1	5NY-22110-00	REAR ARM COMP.	1	1	1	1	
2	90151-04048	SCREW, COUNTERSUNK	4	4	4	4	
3	5NY-22355-00	PATCH	2	2	2	2	
4	93317-22262	BEARING	4	4	4	4	
5	93106-22019	OIL SEAL (DC 22-28-8)	2	2	2	2	
6	93342-22217	BEARING	2	2	2	2	
7	93109-28043	OIL SEAL	2	2	2	2	
8	90387-18005	COLLAR	2	2	2	2	
9	90387-18004	COLLAR	2	2	2	2	
10	5MV-22151-00	SEAL, GUARD	1	1	1	1	
11	91317-05008	BOLT	4	4	4	4	
12	5JG-22156-00	WASHER, PLATE	4	4	4	4	
13	4XM-22199-00	SUPPORT, CHAIN	1	1	1	1	
14	4XM-22128-00	COVER, THRUST 1	1	1	1	1	
15	95027-06050	BOLT, FLANGE	2	2	2	2	
16	90179-06568	NUT	2	2	2	2	
17	95027-06010	BOLT, FLANGE	1	1	1	1	
18	5NY-22141-00	SHAFT, PIVOT	1	1	1	1	
19	90185-16127	NUT, SELF-LOCKING	1	1	1	1	
20	90201-160F6	WASHER, PLATE	1	1	1	1	
21	5NY-2217A-00	ARM, RELAY	1	1	1	1	
22	93315-32056	BEARING	2	2	2	2	
23	93109-20076	OIL SEAL	4	4	4	4	
24	90387-16005	COLLAR	2	2	2	2	
25	90387-16007	COLLAR	2	2	2	2	
26	90387-167Y9	COLLAR	1	1	1	1	
27	5NY-22121-00	SHAFT 1	1	1	1	1	

D6

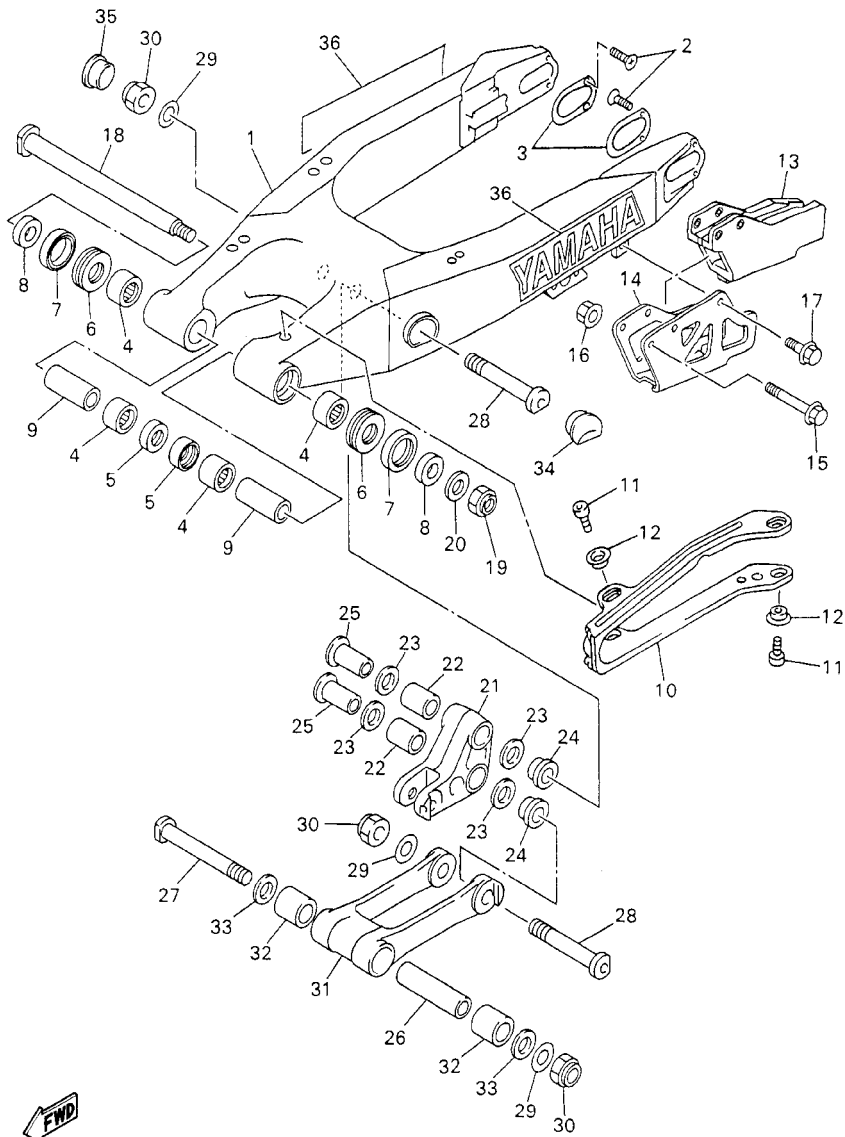
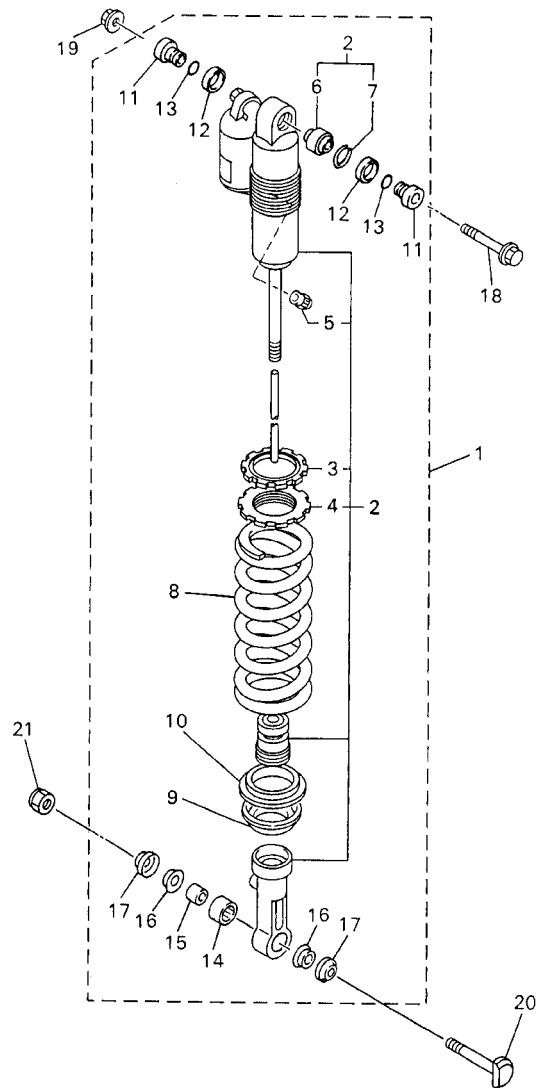


FIG. 22 REAR ARM

REF. NO.	PART NO.	DESCRIPTION	5NG5	5NG6	5NG8	5GSA	REMARKS
28	5NY-22122-00	SHAFT 2	2	2	2	2	
29	90201-14740	WASHER, PLATE	3	3	3	3	
30	90185-14007	NUT, SELF-LOCKING	3	3	3	3	
31	5NY-2217F-00	ROD, CONNECTING 1	1	1	1	1	
32	93315-32053	BEARING	2	2	2	2	
33	93109-20076	OIL SEAL	2	2	2	2	
34	5NY-2135F-00	COVER	1	1	1	1	
35	5HD-2135F-00	COVER	1	1	1	1	
36	99244-00200	EMBLEM, YAMAHA	2	2	2	2	

5NG5100-2220

FIG. 23 REAR SUSPENSION



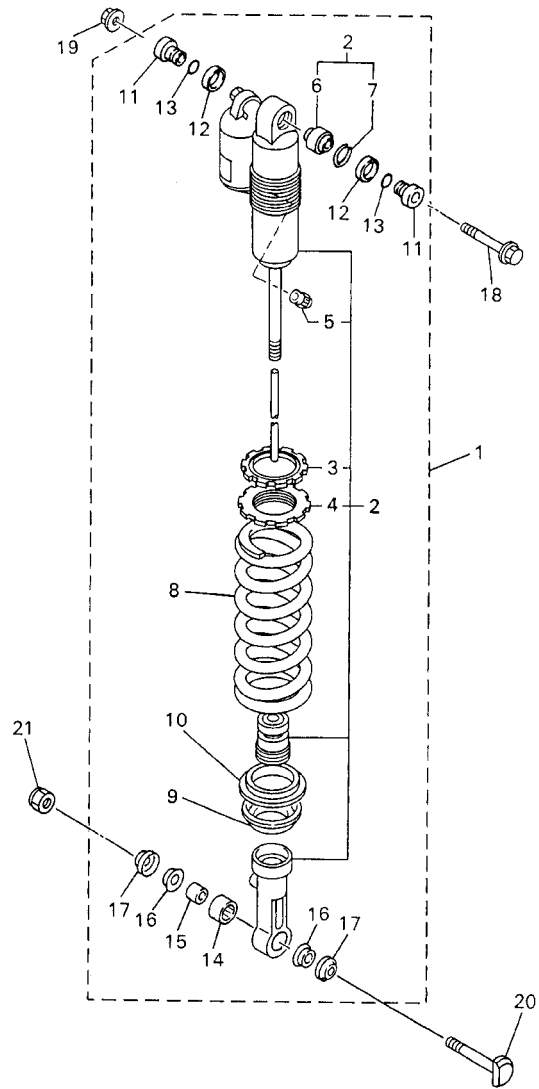
REF. NO.	PART NO.	DESCRIPTION	5NG5	5NG6	5NG8	5GSA	REMARKS
1	5NG-22210-80	SHOCK ABSORBER ASSY, REAR			1	1	FOR ZAF
2	5NG-22201-80	.DAMPER SUB ASSY			1	1	FOR ZAF
3	3SP-22234-00	..GUIDE, SPRING 3	1	1	1	1	
4	3SP-22213-00	..SEAT, SPRING UPPER	1	1	1	1	
5	509-23184-L0	..CAP, AIR VALVE	1	1	1	1	
6	4JX-22226-00	..BUSH, SHOCK ABSORBER LOWER	1	1	1	1	
7	5DH-23183-00	..CIRCLIP	1	1	1	1	
8	5DH-22212-40	.SPRING (K=5.2)	1		1	1	
9	5DH-22214-00	..GUIDE, SPRING 1	1	1	1	1	
10	5MV-22224-00	..GUIDE, SPRING 2	1	1	1	1	
11	5DH-22253-00	..COLLAR, DISTANCE	2	2	2	2	
12	3JE-22475-00	.SEAL, DUST	2	2	2	2	
13	4EW-22474-00	.SEAL, RING	2	2	2	2	
14	5MV-22253-00	..COLLAR, DISTANCE	2	1	2	2	
15	5MV-22176-00	.BEARING	1	1	1	1	
16	5MV-22184-00	.BUSH	1	1	1	1	
17	5NY-22475-00	.SEAL, DUST	2	2	2	2	
18	90105-10323	BOLT, FLANGE	1	1	1	1	
19	95607-10200	NUT, SELF-LOCKING	1	1	1	1	
20	5NY-22241-00	BOLT 1	1	1	1	1	



5NG5100-2230

D8

FIG. 23 REAR SUSPENSION

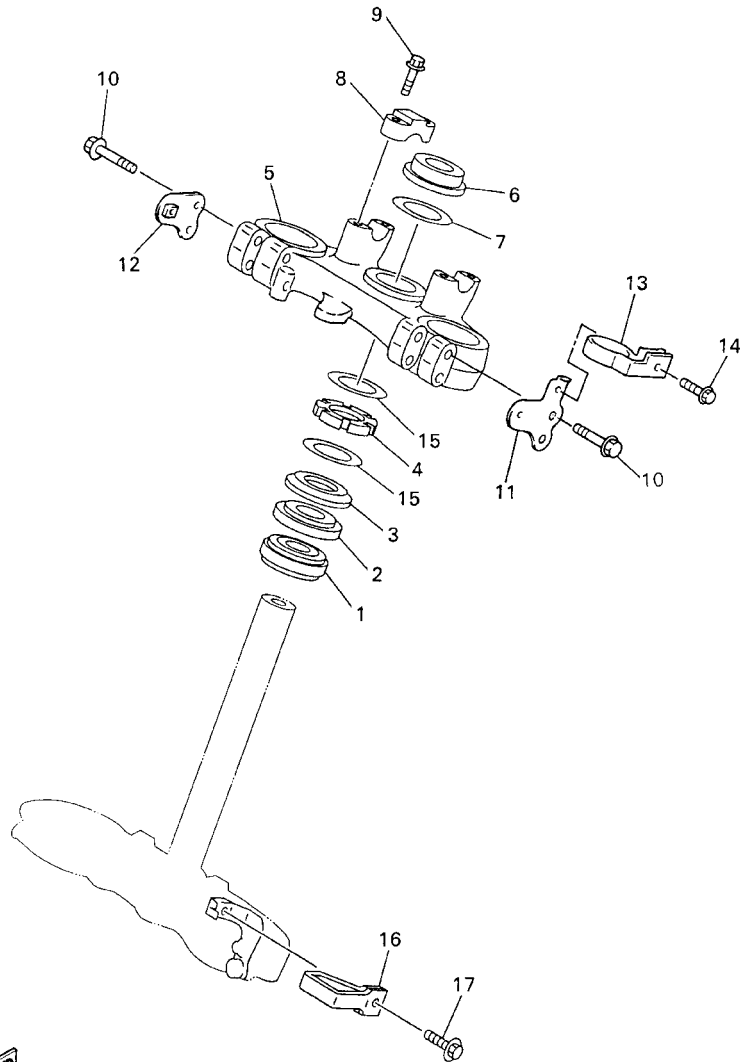


5NG5100-2230

REF. NO.	PART NO.	DESCRIPTION	5NG5	5NG6	5NG8	5GSA	REMARKS
21	90185-10060	NUT, SELF-LOCKING	1	1	1	1	

D9

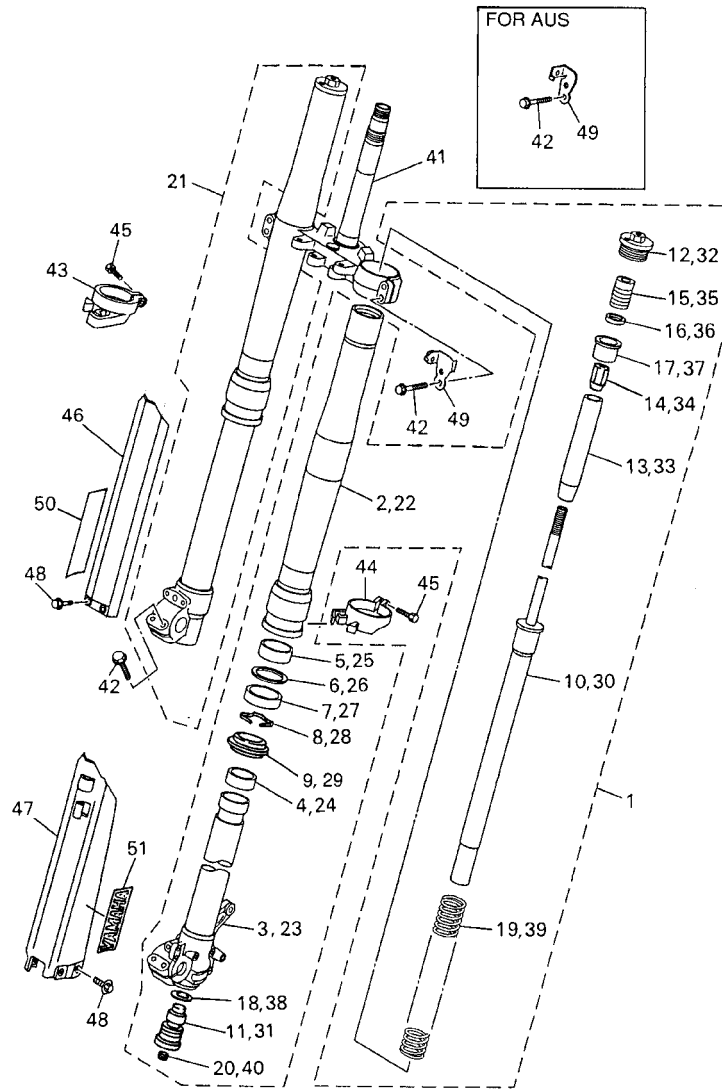
FIG. 24 STEERING



5NG5100-2240

REF. NO.	PART NO.	DESCRIPTION	5NG5	5NG6	5NG8	5GSA	REMARKS
1	93332-00081	BEARING	1	1	1	1	
2	93332-00068	BEARING	1	1	1	1	
3	4EW-23416-00	COVER, BALL RACE 2	1	1	1	1	
4	90179-28650	NUT	1	1	1	1	
5	5GS-23435-50	CROWN, HANDLE	1	1	1	1	
6	90170-24373	NUT	1	1	1	1	
7	90201-247L2	WASHER, PLATE	1	1	1	1	
8	3SP-23441-00	HOLDER, HANDLE UPPER	2	2	2	2	
9	95027-08035	BOLT, FLANGE	4	4	4	4	
10	95027-08040	BOLT, FLANGE	4	4	4	4	
11	5NG-2831V-00	STAY, HEAD LIGHT 1	1	1	1	1	
12	4GY-2832V-00	STAY, HEAD LIGHT 2	1	1	1	1	
13	4GY-23389-00	GUIDE, CABLE	1	1	1	1	
14	90105-05361	BOLT, FLANGE	1	1	1	1	
15	90201-286K9	WASHER, PLATE	2	2	2	2	
16	4DA-23389-00	GUIDE, CABLE	1	1	1	1	
17	90119-05071	BOLT, WITH WASHER	1	1	1	1	

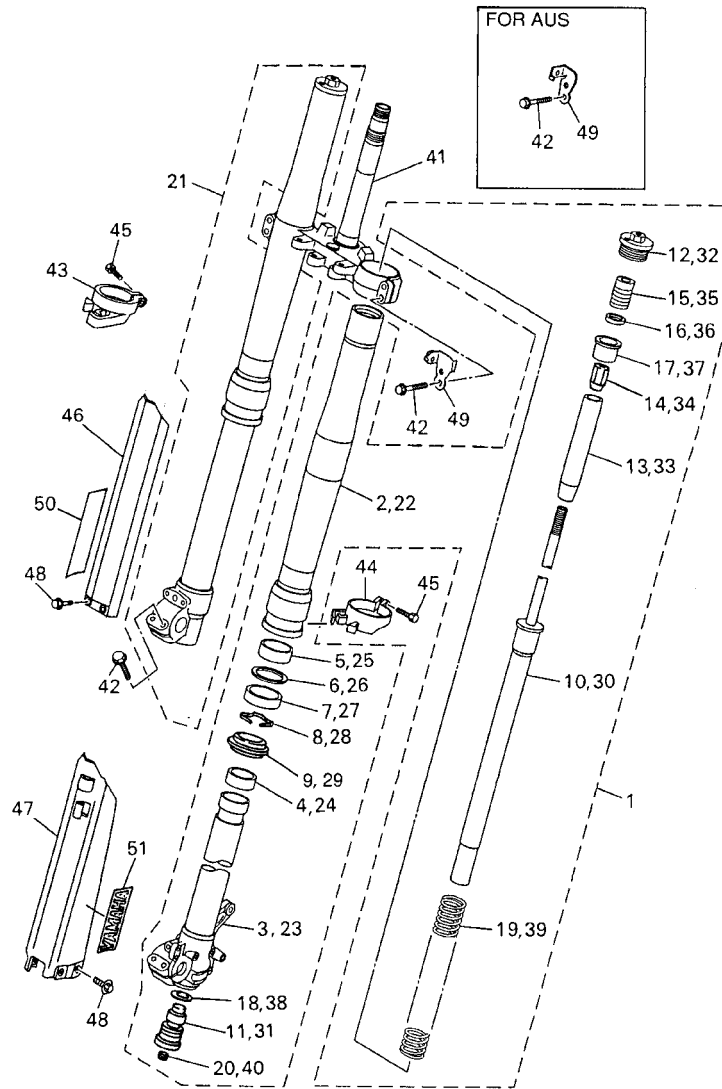
FIG. 25 FRONT FORK



5NG1100-1250

REF. NO.	PART NO.	DESCRIPTION	5NG5	5NG6	5NG8	5GSA	REMARKS
1	5NG-23102-50	FRONT FORK ASSY (L.H)	1		1		
2	5HD-23136-L0	.TUBE, OUTER (RIGHT)	1	1	1	1	
3	5DH-23120-L0	.INNER TUBE COMP.2	1	1	1	1	
4	5ET-23171-L0	.PISTON, FRONT FORK	1	1	1	1	
5	5ET-23125-L0	.METAL, SLIDE 1	1	1	1	1	
6	4SS-23146-L0	.WASHER, OIL SEAL	1	1	1	1	
7	5ET-23145-L0	.OIL SEAL	1	1	1	1	
8	4SS-23153-L0	.RING, SNAP	1	1	1	1	
9	5HD-23144-L0	.SEAL, DUST	1	1	1	1	
10	5NG-23170-50	.CYLINDER COMP., FRONT FORK	1		1		
11	5NG-2316A-50	.VALVE COMP.	1		1		
12	5NY-23111-L0	.BOLT, CAP	1	1	1	1	
13	5DH-23142-L0	.SEAT, SPRING UPPER	1	1	1	1	
14	5HD-23393-L0	.NUT, SPECIAL	1	1	1	1	
15	5MV-23195-L0	.RUBBER	1	1	1	1	
16	5DH-23149-L0	.WASHER, SPRING UPPER	1	1	1	1	
17	5DH-23118-L0	.SPACER	1	1	1	1	
18	4SS-23158-L0	.GASKET	1	1	1	1	
19	5GR-23141-L0	.SPRING, FRONT FORK (K=0.46)	1		1		
20	3JD-2312G-L0	.PLUG	1	1	1	1	
21	5NG-23103-50	FRONT FORK ASSY (R.H)	1		1		
22	5HD-23136-L0	.TUBE, OUTER (RIGHT)	1	1	1	1	

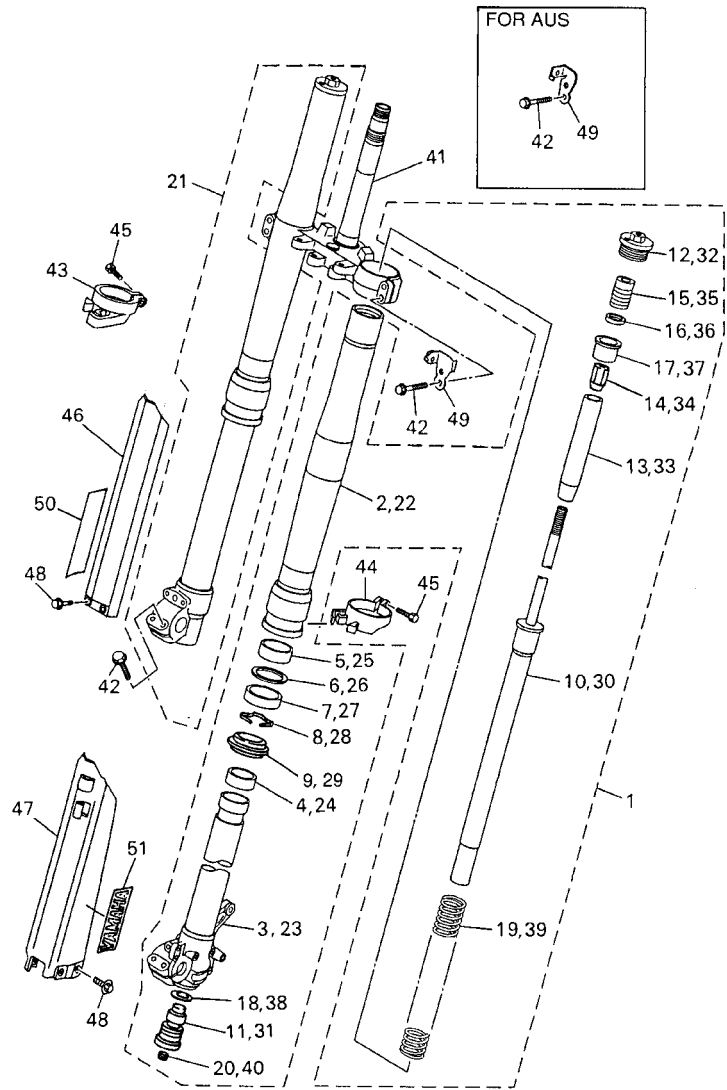
FIG. 25 FRONT FORK



5NG1100-1250

REF. NO.	PART NO.	DESCRIPTION	5NG5	5NG6	5NG8	5GSA	REMARKS
23	5BF-23110-L0	.INNER TUBE COMP.1	1	1	1	1	
24	5ET-23171-L0	.PISTON, FRONT FORK	1	1	1	1	
25	5ET-23125-L0	.METAL, SLIDE 1	1	1	1	1	
26	4SS-23146-L0	.WASHER, OIL SEAL	1	1	1	1	
27	5ET-23145-L0	.OIL SEAL	1	1	1	1	
28	4SS-23153-L0	.RING, SNAP	1	1	1	1	
29	5HD-23144-L0	.SEAL, DUST	1	1	1	1	
30	5NG-23170-50	.CYLINDER COMP., FRONT FORK	1		1		
31	5NG-2316A-50	.VALVE COMP.	1		1		
32	5NY-23111-L0	.BOLT, CAP	1	1	1	1	
33	5DH-23142-L0	.SEAT, SPRING UPPER	1	1	1	1	
34	5HD-23393-L0	.NUT, SPECIAL	1	1	1	1	
35	5MV-23195-L0	.RUBBER	1	1	1	1	
36	5DH-23149-L0	.WASHER, SPRING UPPER	1	1	1	1	
37	5DH-23118-L0	.SPACER	1	1	1	1	
38	4SS-23158-L0	.GASKET	1	1	1	1	
39	5GR-23141-L0	.SPRING, FRONT FORK (K=0.46)	1		1		
40	3JD-2312G-L0	.PLUG	1	1	1	1	
41	5NX-23340-L0	UNDER BRACKET COMP.	1	1	1	1	
42	5NY-23346-L0	BOLT 1	8	8	8	8	
43	4SS-2314G-L0	PROTECTOR GUIDE COMP., 2	1	1	1	1	
44	5DH-2314F-L0	PROTECTOR GUIDE COMP., 1	1	1	1	1	
45	4SS-23346-L0	BOLT 1	2	2	2	2	
46	5BF-2314J-00	PROTECTOR COMP., 2	1	1	1	1	

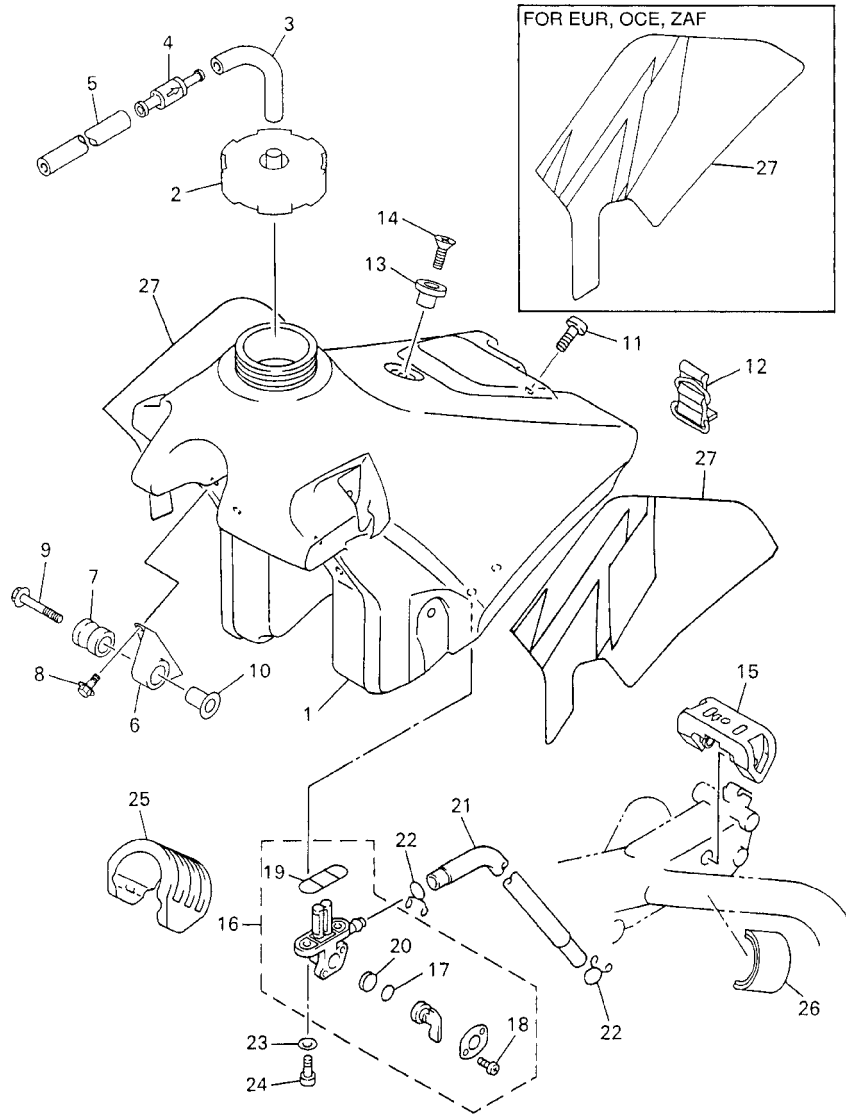
FIG. 25 FRONT FORK



REF. NO.	PART NO.	DESCRIPTION	5NG5	5NG6	5NG8	5GSA	REMARKS
47	5DH-2314H-00	PROTECTOR COMP., 1	1	1	1	1	
48	3SP-23356-L0	BOLT 2	6	6	6	6	
49	5HC-2331E-00	GUIDE, CABLE	1	1	1	1	
50	4XL-2153A-10	EMBLEM, YAMAHA	1	1	1	1	
51	4XL-2153A-10	EMBLEM, YAMAHA	1	1	1	1	

FWD
5NG1100-1250

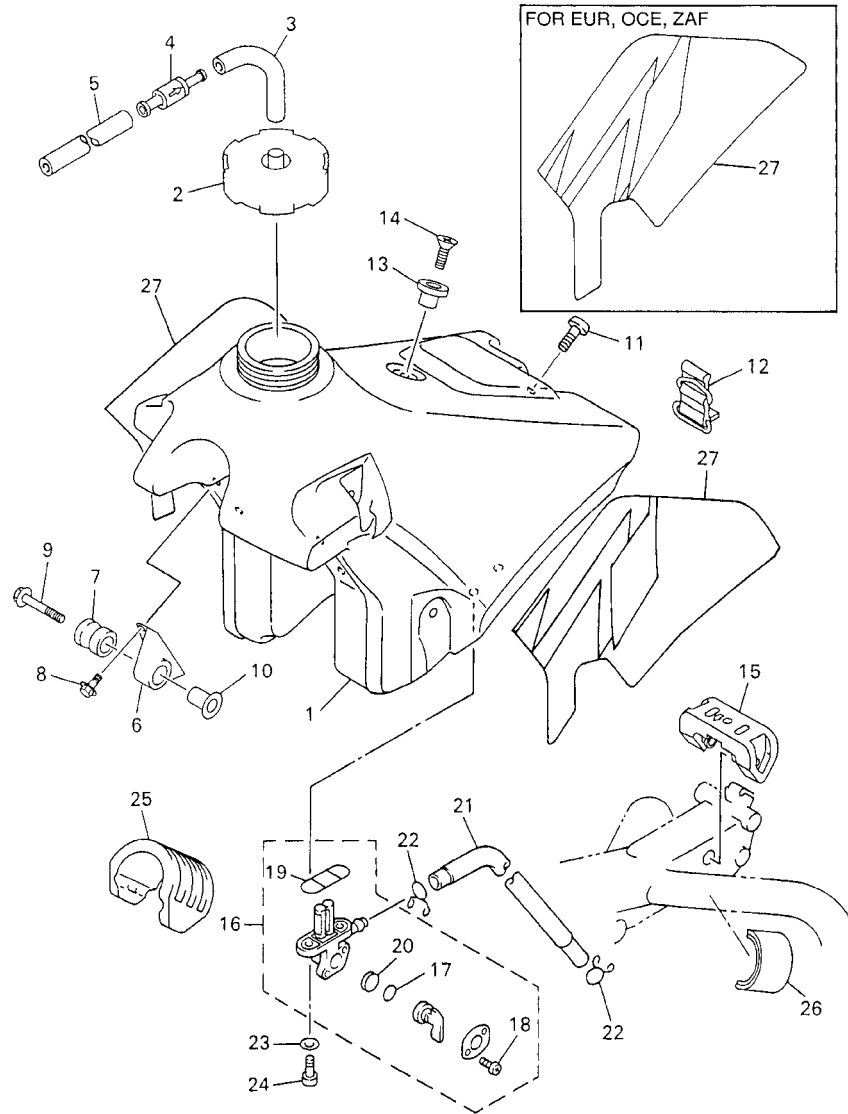
FIG. 26 FUEL TANK



5NG5100-2260

REF. NO.	PART NO.	DESCRIPTION	5NG5	5NG6	5NG8	5GSA	REMARKS
1	5JG-24110-50	FUEL TANK COMP.		1	1	1	UR FOR ZAF
2	5MV-24610-00	CAP ASSY	1	1	1	1	
3	90445-09220	HOSE	1	1	1	1	
4	3XJ-24380-00	PIPE JOINT ASSY	1	1	1	1	
5	90445-09104	HOSE		1	1	1	U R FOR ZAF
6	24X-24144-00	HOLDER, DAMPER	2	2	2	2	
7	90480-18549	GROMMET	2	2	2	2	
8	95027-06016	BOLT, FLANGE	4	4	4	4	
9	90119-06214	BOLT, WITH WASHER	2	2	2	2	
10	3JD-24186-00	WASHER, SPECIAL	2	2	2	2	
11	98907-06020	SCREW, BIND	1	1	1	1	
12	5SF-24173-00	BAND, TANK FITTING 1	1	1	1	1	
13	4EW-2412F-00	BRACKET, SEAT	1	1	1	1	
14	98707-06025	SCREW, FLAT HEAD	1	1	1	1	
15	4SS-24181-00	DAMPER, LOCATING 1	1	1	1	1	
16	2GU-24500-01	FUEL COCK ASSY 1	1	1	1	1	
17	3AJ-24534-00	.SEAL, COCK	1	1	1	1	
18	97801-03008	.SCREW, PAN HEAD	2	2	2	2	
19	4X8-24512-00	.O-RING	1	1	1	1	
20	3AJ-24523-00	.VALVE PACKING	1	1	1	1	
21	90445-11002	HOSE (L195)		1	1	1	UR FOR ZAF
22	90467-10008	CLIP	2	2	2	2	
23	90202-05193	WASHER, PLATE	2	2	2	2	
24	90149-06011	SCREW	2	2	2	2	

FIG. 26 FUEL TANK

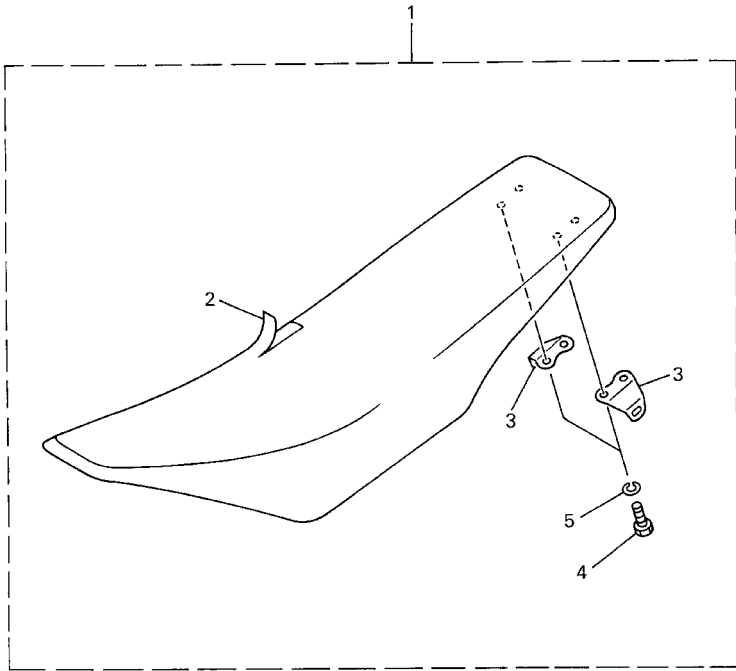


5NG5100-2260

REF. NO.	PART NO.	DESCRIPTION	5NG5	5NG6	5NG8	5GSA	REMARKS
25	5BE-24182-00	DAMPER, LOCATING 2	1	1	1	1	
26	3V6-22358-00	SEAL 1	2	2	2	2	
27	5SF-24240-01	GRAPHIC SET		1	1	1	U R FOR ZAF

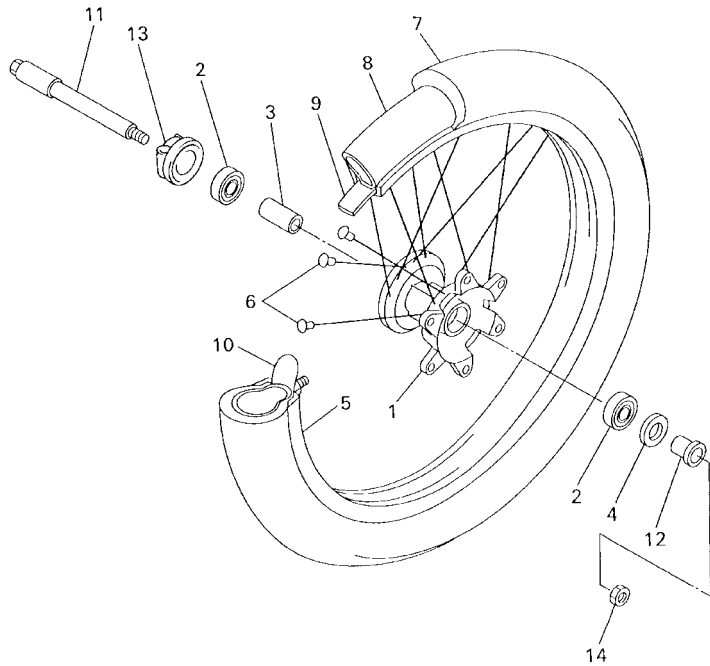
FIG. 27 SEAT

REF. NO.	PART NO.	DESCRIPTION	5NG5	5NG6	5NG8	5GSA	REMARKS
1	5SF-24710-00	SINGLE SEAT ASSY		1	1	1	UR FOR ZAF
2	5SF-24731-00	.COVER, SEAT		1	1	1	UR FOR ZAF
3	5BE-24728-00	.BRACKET, SEAT		2	2	2	
4	97007-06012	.BOLT		4	4	4	
5	92907-06100	.WASHER, SPRING		4	4	4	



5BE100-8270

FIG. 28 FRONT WHEEL

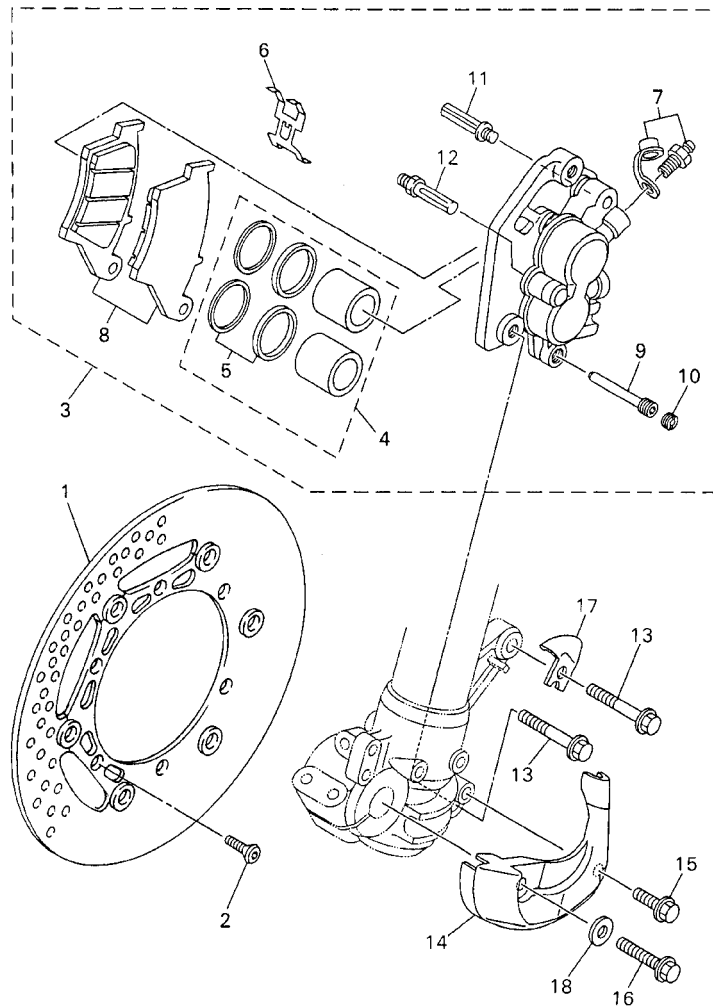


REF. NO.	PART NO.	DESCRIPTION	5NG5	5NG6	5NG8	5GSA	REMARKS
1	5NG-25111-50	HUB, FRONT	1	1	1	1	
2	93306-90403	BEARING	2	2	2	2	
3	5NY-25117-00	SPACER, BEARING	1	1	1	1	
4	93102-26468	OIL SEAL	1	1	1	1	
5	94416-21003	RIM (1.60-21)	1	1	1	1	
6	5NY-25104-00	SPOKE SET, FRONT	1	1	1	1	
7	LM	TYRE (80/100-21 51M D739F)	1		1		
8	LM	TUBE (80/100-21 TR4 BTL)	1		1		
9	94309-21161	BAND, RIM (70-80/100-21)	1		1		
10	5SF-25394-00	SPACER, BEAD	1	1	1	1	
11	5BE-25181-00	AXLE, WHEEL	1	1	1	1	
12	5NY-25183-00	COLLAR, WHEEL	1	1	1	1	
13	5NG-25190-50	GEAR UNIT ASSY	1	1	1	1	
14	90179-16672	NUT	1	1	1	1	



5BF100-8280

FIG. 29 FRONT BRAKE CALIPER

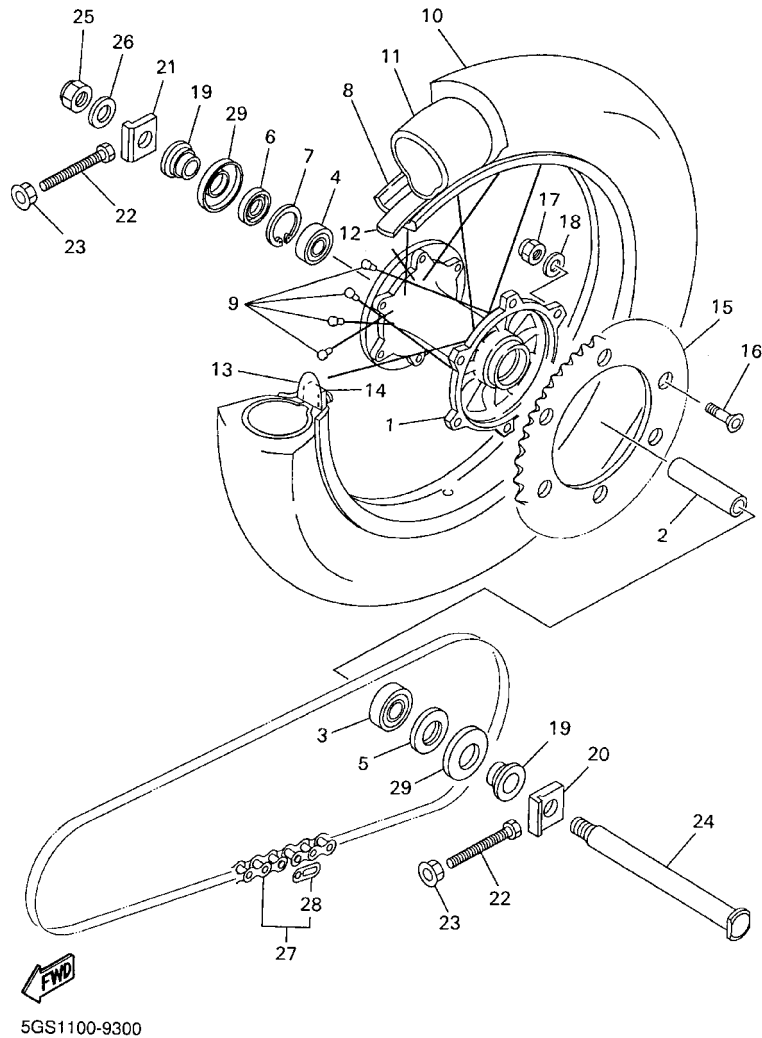


REF. NO.	PART NO.	DESCRIPTION	5NG5	5NG6	5NG8	5GSA	REMARKS
1	5MV-2581T-00	DISC BRAKE ASSY	1	1	1	1	
2	90149-06327	SCREW	6	6	6	6	
3	5MV-2580T-10	CALIPER ASSY (LEFT)	1	1	1	1	
4	4EW-W0057-00	.PISTON ASSY, CALIPER	1	1	1	1	
5	3JD-W0047-00	..CALIPER SEAL KIT	1	1	1	1	
6	5DH-25919-00	.SUPPORT, PAD	1	1	1	1	
7	1UY-W0048-50	.BLEED SCREW KIT	1	1	1	1	
8	5MV-W0045-00	.BRAKE PAD KIT	1	1	1	1	
9	5DH-25933-00	.PIN, PAD	1	1	1	1	
10	5DH-25916-00	.PLUG	1	1	1	1	
11	3SP-25926-51	.BOLT	1	1	1	1	
12	3SP-25914-51	.PIN, SLIDE	1	1	1	1	
13	90105-08659	BOLT, FLANGE	2	2	2	2	
14	5DH-2314E-00	COVER, HOSE	1	1	1	1	
15	95827-06012	BOLT, FLANGE	1	1	1	1	
16	95027-08020	BOLT, FLANGE	1	1	1	1	
17	5DH-25875-00	HOLDER, BRAKE HOSE 1	1	1	1	1	
18	92907-08200	WASHER	1	1	1	1	

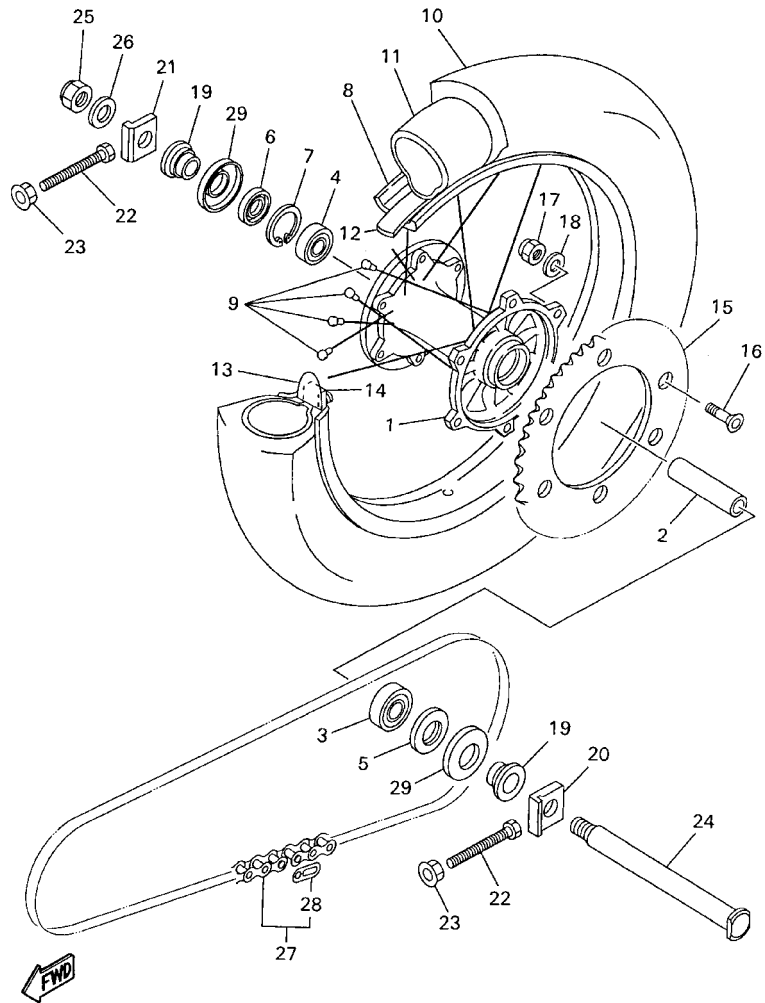


5NG5100-2290

FIG. 30 REAR WHEEL



REF. NO.	PART NO.	DESCRIPTION	5NG5	5NG6	5NG8	5GSA	REMARKS
1	5ET-25311-00	HUB, REAR	1	1	1	1	
2	5ET-25317-00	SPACER, BEARING	1	1	1	1	
3	93306-27205	BEARING	1	1	1	1	
4	93306-07202	BEARING	1	1	1	1	
5	93106-30044	OIL SEAL	1	1	1	1	
6	93106-30045	OIL SEAL	1	1	1	1	
7	99009-45500	CIRCLIP	1	1	1	1	
8	94421-18610	RIM (2.15-18)	1	1	1	1	
9	5GS-25304-00	SPOKE SET, REAR	1	1	1	1	
10	LM	TYRE (110/100-18 64M D739)	1		1		
11	LM	TUBE (120/90-18)	1		1		
12	94309-18146	BAND, RIM (110/100-18)	1		1		
13	3JE-25394-00	SPACER, BEAD	2	2	2	2	
14	4XM-25364-00	DAMPER	2	2	2	2	
15	5GS-25450-50	SPROCKET, DRIVEN (50T)	1	1	1	1	STD
	5GS-25448-50	SPROCKET, DRIVEN (48T)	1	1	1	1	AP
	5GS-25452-50	SPROCKET, DRIVEN (52T)	1	1	1	1	AP
16	90109-081G1	BOLT	6	6	6	6	
17	90185-08169	NUT, SELF-LOCKING	6	6	6	6	
18	90201-08326	WASHER, PLATE	6	6	6	6	
19	5NY-25383-00	COLLAR, WHEEL	2	2	2	2	
20	5NY-25388-00	PULLER, CHAIN 1	1	1	1	1	
21	5NY-25389-00	PULLER, CHAIN 2	1	1	1	1	
22	90101-08777	BOLT	2	2	2	2	

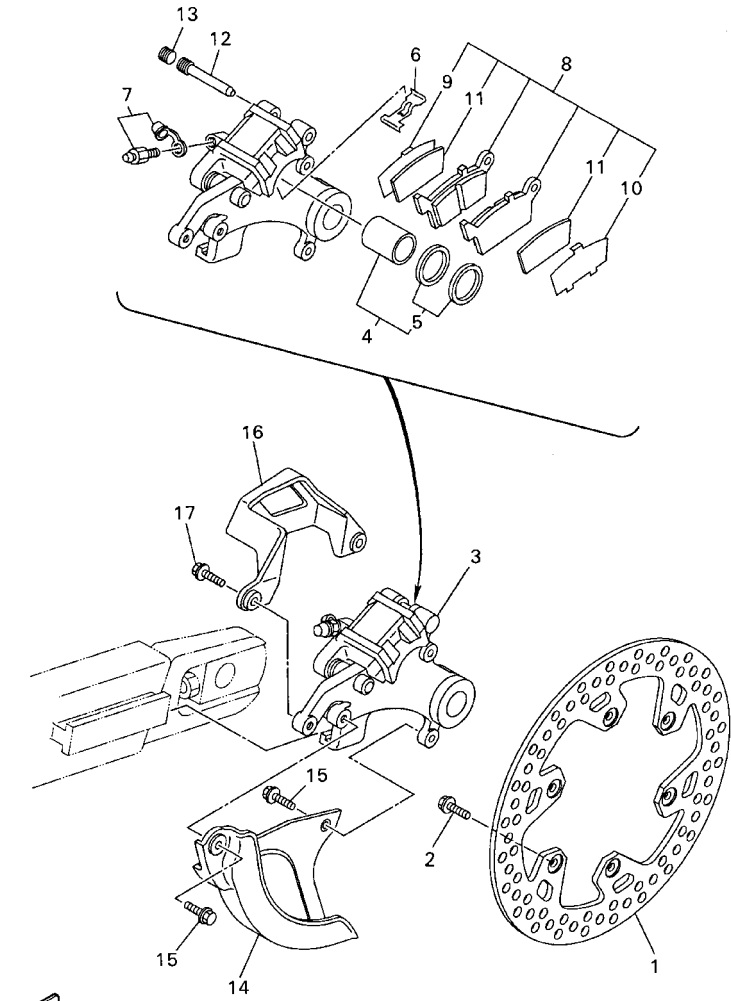


5GS1100-9300

FIG. 30 REAR WHEEL

REF. NO.	PART NO.	DESCRIPTION	5NG5	5NG6	5NG8	5GSA	REMARKS
23	90179-08299	NUT	2	2	2	2	
24	5ET-25381-00	AXLE, WHEEL	1	1	1	1	
25	90185-20168	NUT, SELF-LOCKING	1	1	1	1	
26	90201-203U1	WASHER, PLATE	1	1	1	1	
27	9Y58A-76113	CHAIN	1	1	1	1	
28	94681-76021	JOINT, CHAIN	1	1	1	1	
29	5ET-25367-00	COVER, HUB DUST	2	2	2	2	

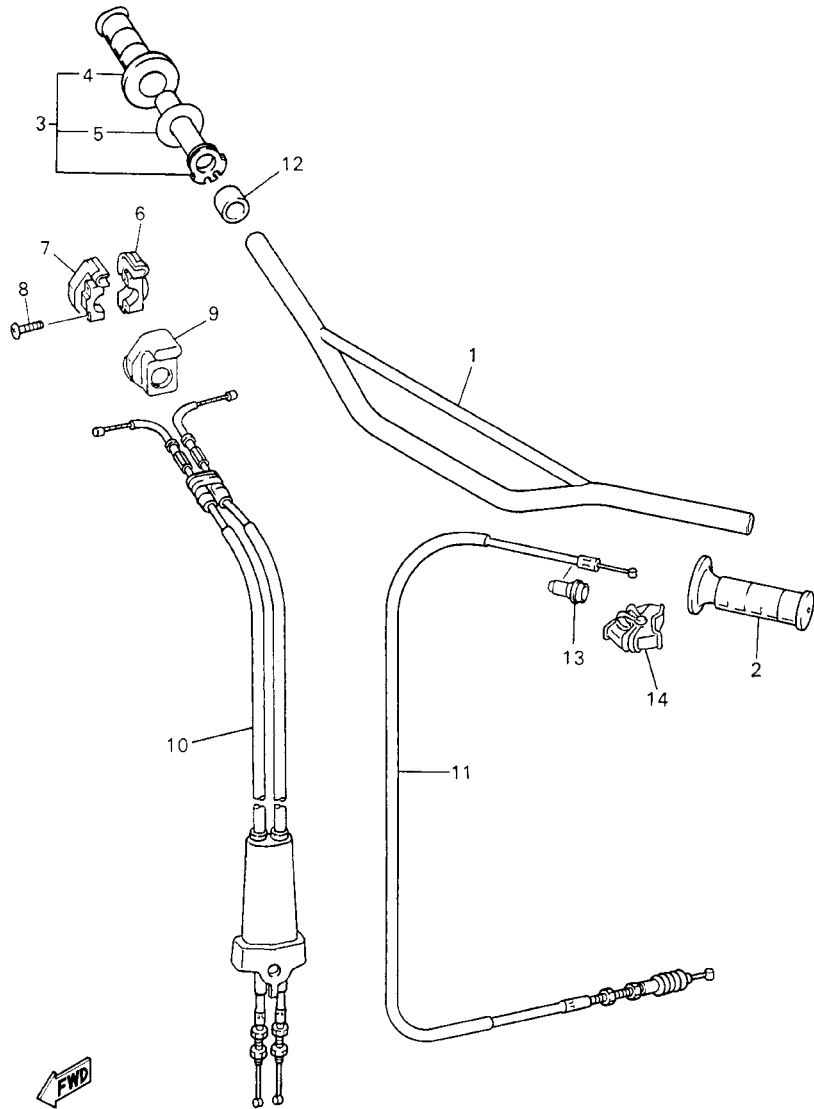
FIG. 31 REAR BRAKE CALIPER



5GS1100-9310

REF. NO.	PART NO.	DESCRIPTION	5NG5	5NG6	5NG8	5GSA	REMARKS
1	5NY-2582W-00	DISC, REAR BRAKE 2	1	1	1	1	
2	90109-065G4	BOLT	6	6	6	6	
3	5NY-2580W-00	CALIPER ASSY, REAR 2	1	1	1	1	
4	5ET-W0057-50	.PISTON ASSY, CALIPER	1	1	1	1	
5	5ET-W0047-50	..CALIPER SEAL KIT	1	1	1	1	
6	5DH-25919-50	.SUPPORT, PAD	1	1	1	1	
7	1UY-W0048-50	.BLEED SCREW KIT	1	1	1	1	
8	5GR-W0046-00	.BRAKE PAD KIT 2	1	1	1	1	
9	5DH-25828-50	..SHIM, CALIPER	1	1	1	1	
10	5DH-25827-50	..SHIM, CALIPER	1	1	1	1	
11	5GR-22898-50	..INSULATOR, HEAT	2	2	2	2	
12	8CR-25924-00	.PIN, PAD	1	1	1	1	
13	5DH-25916-00	.PLUG	1	1	1	1	
14	5DH-25718-01	PROTECTOR, DISK BRAKE	1	1	1	1	
15	95027-06012	BOLT, FLANGE	2	2	2	2	
16	4GY-27491-00	PROTECTOR	1	1	1	1	
17	95027-06016	BOLT, FLANGE	2	2	2	2	

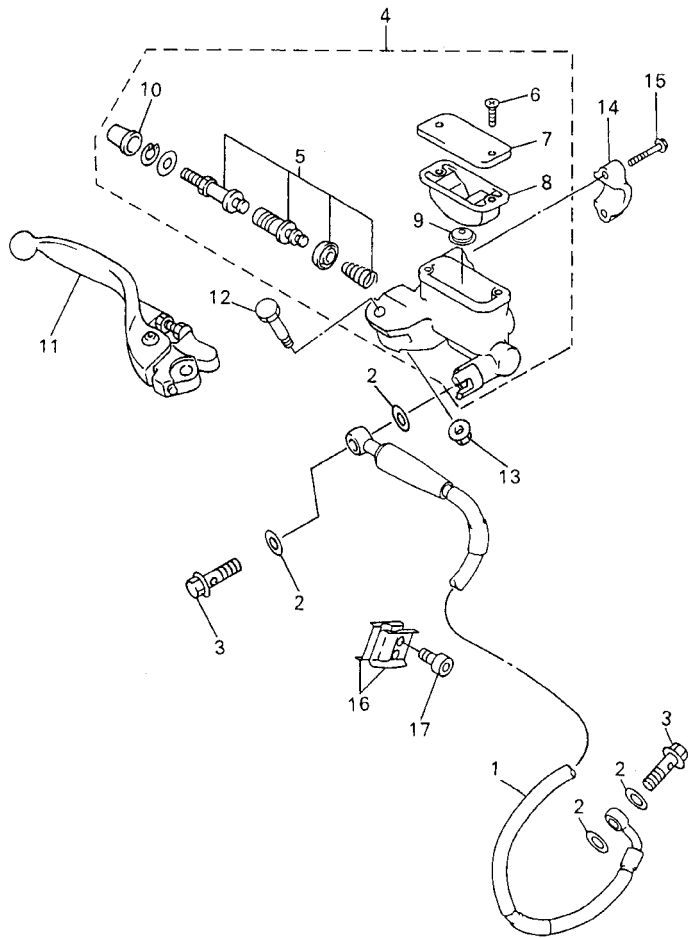
FIG. 32 STEERING HANDLE. CABLE



5NG5100-2320

REF. NO.	PART NO.	DESCRIPTION	5NG5	5NG6	5NG8	5GSA	REMARKS
1	4XM-26111-00	HANDLEBAR	1	1	1	1	
2	4GY-26241-00	GRIP	1	1	1	1	
3	5BE-26240-00	GRIP ASSY	1	1	1	1	
4	4GY-26242-00	.GRIP (RIGHT)	1	1	1	1	
5	3Y1-26249-00	.RING, LEAF	1	1	1	1	
6	5BE-26281-00	CAP, GRIP UPPER	1	1	1	1	
7	5BE-26282-00	CAP, GRIP LOWER	1	1	1	1	
8	98507-05020	SCREW, PAN HEAD	2	2	2	2	
9	5SF-26287-00	COVER, CAP GRIP	1	1	1	1	
10	5SF-26302-00	THROTTLE CABLE ASSY	1	1	1	1	
11	5SF-26335-00	CABLE, CLUTCH	1	1	1	1	
12	90387-225N2	COLLAR	1	1	1	1	
13	5HD-26342-00	BOOT, CABLE	1	1	1	1	
14	5NY-26372-00	COVER, HANDLE LEVER 1	1	1	1	1	

FIG. 33 FRONT MASTER CYLINDER

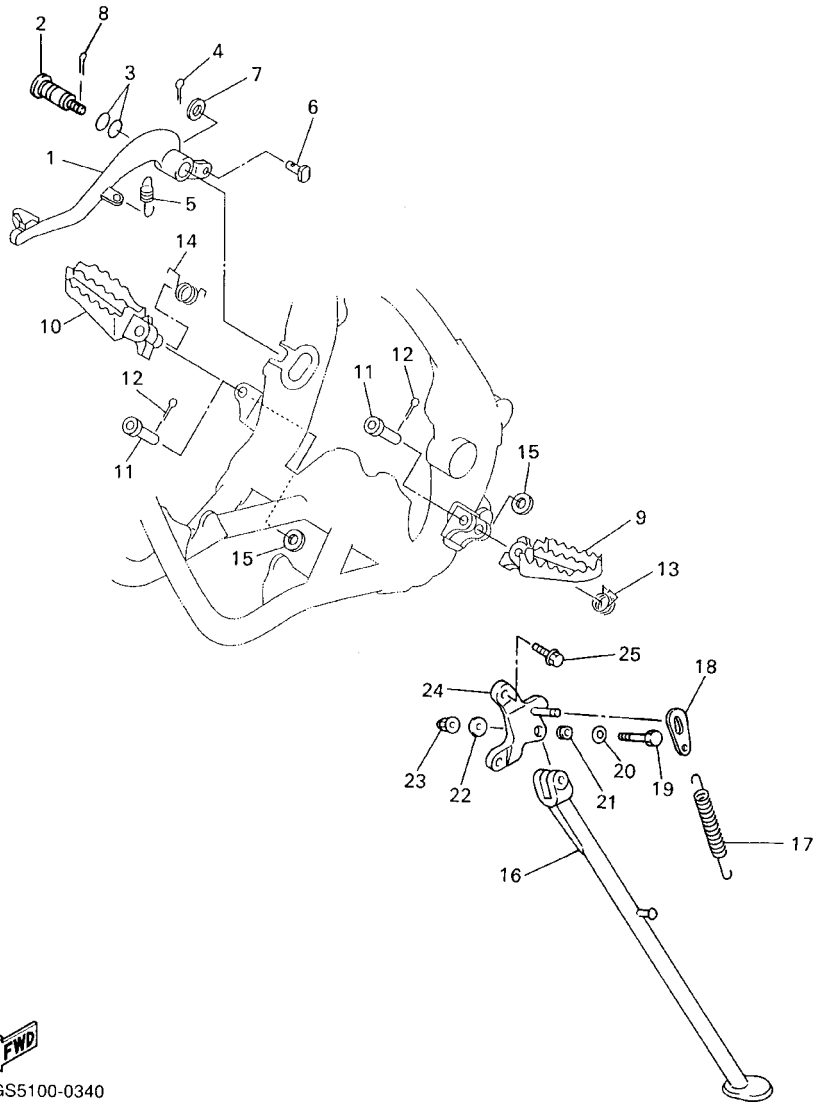


REF. NO.	PART NO.	DESCRIPTION	5NG5	5NG6	5NG8	5GSA	REMARKS
1	5PH-25872-00	HOSE, BRAKE 1	1	1	1	1	
2	90201-10118	WASHER, PLATE	4	4	4	4	
3	90401-10172	BOLT, UNION	2	2	2	2	
4	5NY-W2587-01	MASTER CYLINDER SUB ASSY	1	1	1	1	
5	5NY-W0041-00	.CYLINDER KIT, MASTER	1	1	1	1	
6	98706-04012	.SCREW, FLAT HEAD	2	2	2	2	
7	5MV-25852-01	.CAP, RESERVOIR	1	1	1	1	
8	56A-25854-00	.DIAPHRAGM, RESERVOIR	1	1	1	1	
9	8CR-25715-00	.SEPARATOR ASSY	1	1	1	1	
10	5NY-25868-00	.BOOT, MASTER CYLINDER	1	1	1	1	
11	5MV-83922-00	LEVER 2	1	1	1	1	
12	5MV-2589F-00	BOLT, LEVER	1	1	1	1	
13	95701-06500	NUT, FLANGE	1	1	1	1	
14	5MV-25867-00	BRACKET, MASTER CYLINDER	1	1	1	1	
15	5MV-25833-00	BOLT, FITTING	2	2	2	2	
16	90465-16258	CLAMP	2	2	2	2	
17	91317-06014	BOLT	2	2	2	2	



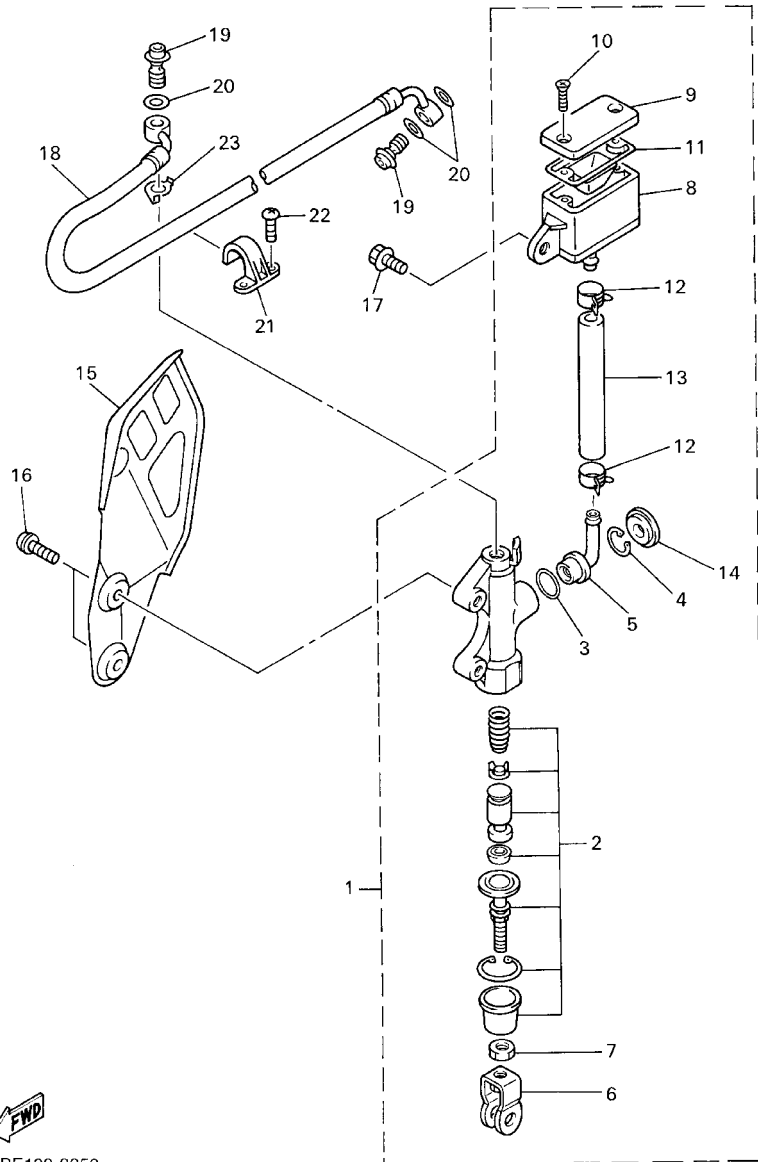
5NG1100-1330

FIG. 34 STAND, FOOTREST



REF. NO.	PART NO.	DESCRIPTION	5NG5	5NG6	5NG8	5GSA	REMARKS
1	4XM-27200-00	PEDAL, BRAKE	1	1	1	1	
2	5JG-27217-00	BOLT	1	1	1	1	
3	93210-11073	O-RING	2	2	2	2	
4	91401-20012	PIN, COTTER	1	1	1	1	
5	90506-16500	SPRING, TENSION	1	1	1	1	
6	90240-08120	PIN, CLEVIS	1	1	1	1	
7	90201-08089	WASHER, PLATE	1	1	1	1	
8	90468-16191	CLIP	1	1	1	1	
9	5ET-27411-00	FOOTREST 1	1	1	1	1	
10	5ET-27421-00	FOOTREST 2	1	1	1	1	
11	90240-10142	PIN, CLEVIS	2	2	2	2	
12	91401-25015	PIN, COTTER	2	2	2	2	
13	90508-282B8	SPRING, TORSION	1	1	1	1	
14	90508-282B9	SPRING, TORSION	1	1	1	1	
15	90201-10119	WASHER, PLATE	2	2	2	2	
16	5BF-27311-00	STAND, SIDE	1	1	1	1	
17	90506-35473	SPRING, TENSION	1	1	1	1	
18	5GS-27315-50	LINK, SIDE STAND	1	1	1	1	
19	90101-10738	BOLT	1	1	1	1	
20	90201-112U6	WASHER, PLATE	1	1	1	1	
21	90387-1003G	COLLAR	1	1	1	1	
22	92990-10200	WASHER, PLAIN	1	1	1	1	
23	95617-10100	NUT, U	1	1	1	1	
24	5GS-21458-50	BRACKET, SIDE STAND	1	1	1	1	
25	95027-10020	BOLT, FLANGE	2	2	2	2	

FIG. 35 REAR MASTER CYLINDER

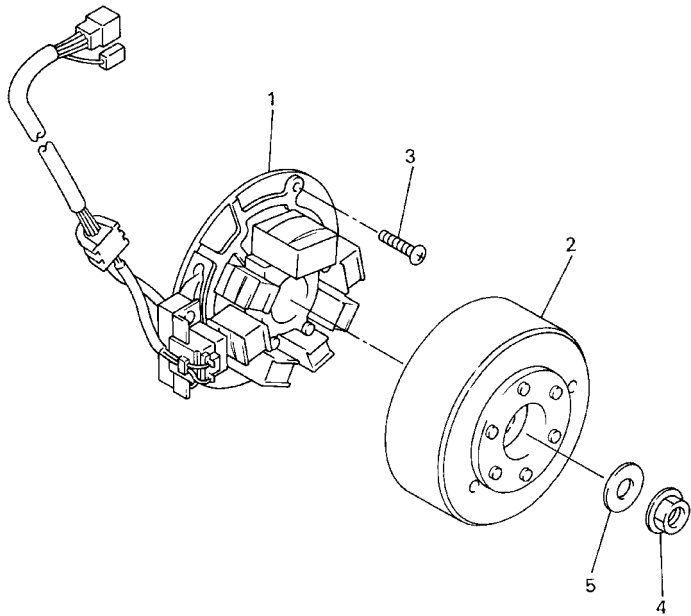


5BE100-8350

REF. NO.	PART NO.	DESCRIPTION	5NG5	5NG6	5NG8	5GSA	REMARKS
1	5JG-2583V-00	RR. MASTER CYLINDER ASSY.	1	1	1	1	
2	4SS-W0042-50	.CYLINDER KIT, MASTER	1	1	1	1	
3	93210-15620	.O-RING	1	1	1	1	
4	2VN-25866-00	.CIRCLIP	1	1	1	1	
5	4ML-2582A-50	.JOINT	1	1	1	1	
6	3SP-27222-00	.JOINT	1	1	1	1	
7	95301-08700	.NUT	2	2	2	2	
8	5BE-25894-00	.TANK, RESERVOIR	1	1	1	1	
9	5BE-25852-00	.CAP, RESERVOIR	1	1	1	1	
10	98706-04040	.SCREW, FLAT HEAD	2	2	2	2	
11	56A-25854-00	.DIAPHRAGM, RESERVOIR	1	1	1	1	
12	90467-12085	.CLIP	2	2	2	2	
13	5BE-25895-00	.HOSE, RESERVOIR	1	1	1	1	
14	3FV-2589A-00	.COVER, DUST	1	1	1	1	
15	5BE-2117M-01	COVER 2	1	1	1	1	
16	92014-06016	BOLT, BUTTON HEAD	2	2	2	2	
17	90105-06553	BOLT, FLANGE	1	1	1	1	
18	5MV-25873-00	HOSE, BRAKE 2	1	1	1	1	
19	90401-10172	BOLT, UNION	2	2	2	2	
20	90201-10118	WASHER, PLATE	3	3	3	3	
21	2VM-25876-00	HOLDER, BRAKE HOSE 2	2	2	2	2	
22	90157-05095	SCREW, PAN HEAD	4	4	4	4	
23	5BE-25844-01	WASHER, LOCK	1	1	1	1	

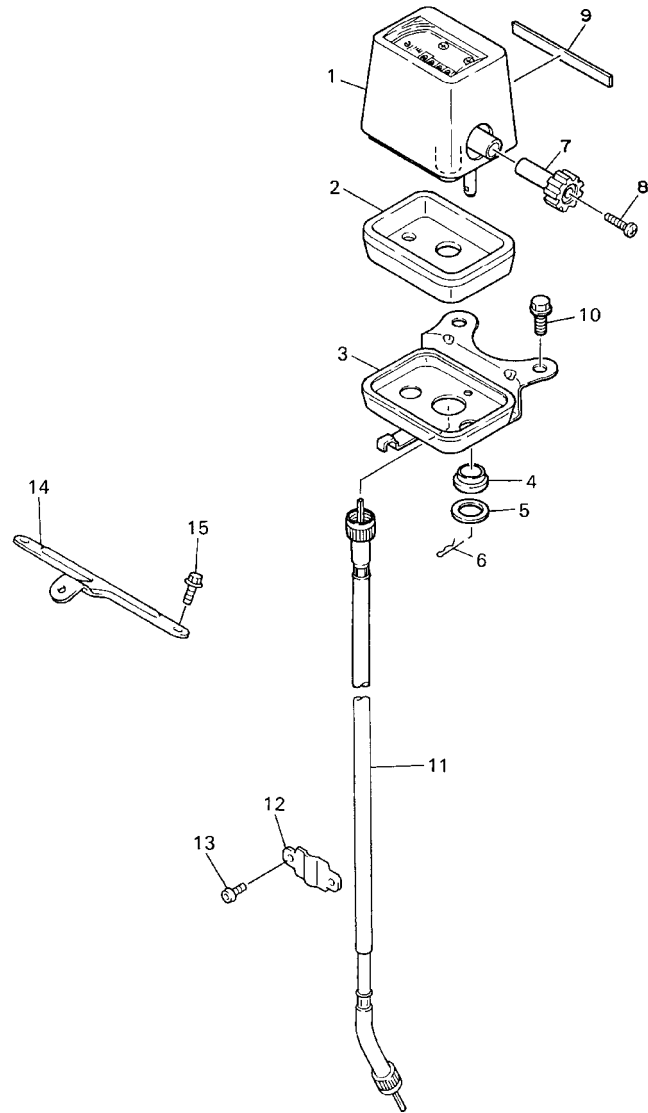
FIG. 36 GENERATOR

REF. NO.	PART NO.	DESCRIPTION	5NG5	5NG6	5NG8	5GSA	REMARKS
1	5NG-85560-50	BASE ASSY	1	1	1	1	
2	5NG-85550-50	ROTOR ASSY	1	1	1		
3	90149-06324	SCREW	3	3	3	3	
4	90179-10247	NUT	1	1	1	1	
5	90201-101J1	WASHER, PLATE	1	1	1	1	



FWD
5BF100-8360

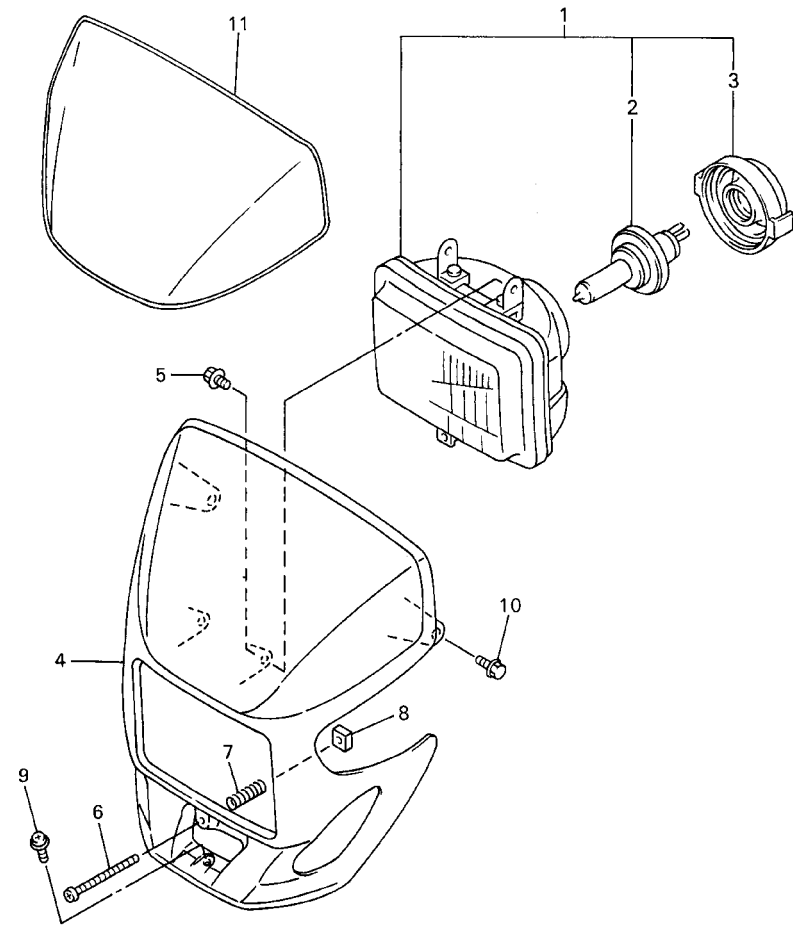
FIG. 37 METER



FWD
5BF100-8370

REF. NO.	PART NO.	DESCRIPTION	5NG5	5NG6	5NG8	5GSA	REMARKS
1	2HR-83505-F0	TRIP METER COMP.		1	1	1	KM
2	4V5-83513-00	DAMPER	1	1	1	1	
3	5NG-83519-00	BRACKET, METER	1	1	1	1	
4	1M1-83526-00	DAMPER 2	2	2	2	2	
5	90201-05033	WASHER, PLATE	2	2	2	2	
6	437-83525-00	CLIP	2	2	2	2	
7	11H-83578-00	KNOB, TRIP METER	1	1	1	1	
8	90157-02031	SCREW, PAN HEAD	1	1	1	1	
9	2HR-83592-00	DAMPER	1	1	1	1	
10	95027-06010	BOLT, FLANGE	2	2	2	2	
11	5BF-83550-00	SPEEDOMETER CABLE ASSY	1	1	1	1	
12	5BF-2317M-00	STAY 3	1	1	1	1	
13	92017-05008	BOLT, BUTTON HEAD	2	2	2	2	
14	5NG-84319-50	STAY, HEADLIGHT 2	1	1	1	1	
15	95027-08012	BOLT, FLANGE	2	2	2	2	

FIG. 38 HEADLIGHT

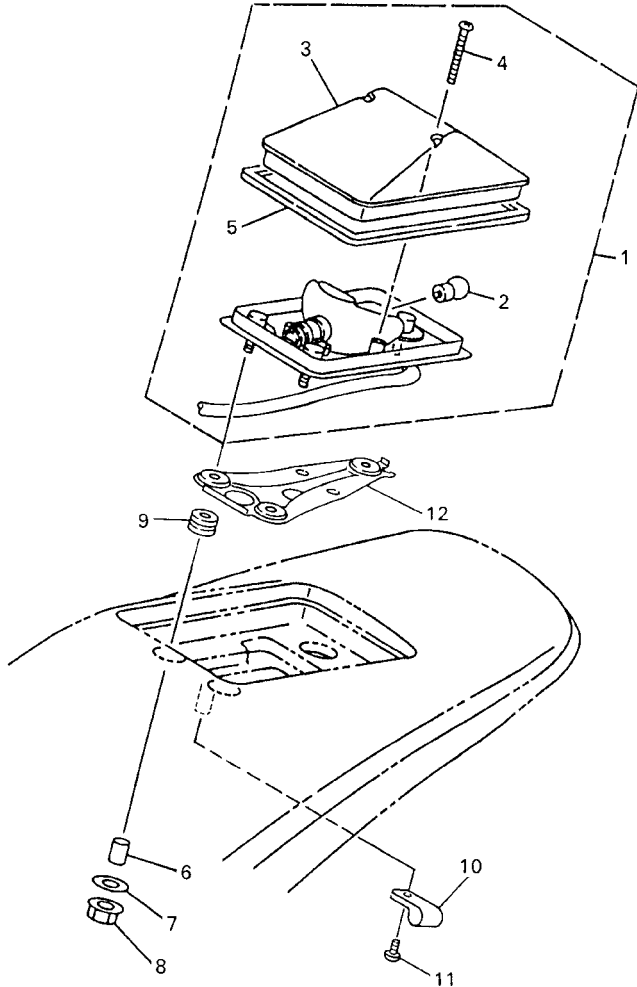


 5NG1100-1380

REF. NO.	PART NO.	DESCRIPTION	5NG5	5NG6	5NG8	5GSA	REMARKS
1	5BF-84310-00	HEADLIGHT UNIT ASSY	1	1	1	1	
2	8G9-84314-00	.BULB (12V-60/55W)	1	1	1	1	(H4)HALOGEN
3	5BF-84397-00	.COVER, SOCKET	1	1	1	1	
4	5BF-84330-00	BODY ASSY	1	1	1	1	
5	55U-84337-00	BOLT, SPECIAL	2	2	2	2	
6	5BF-8433E-00	SCREW, ADJUSTING	1	1	1	1	
7	5BF-84335-00	SPRING	1	1	1	1	
8	5BF-84334-00	NUT, ADJUSTING	1	1	1	1	
9	90159-06189	SCREW, WITH WASHER	1	1	1	1	
10	95827-06010	BOLT, FLANGE	2	2	2	2	
11	5BF-2339E-00	GRAPHIC 1	1	1	1	1	

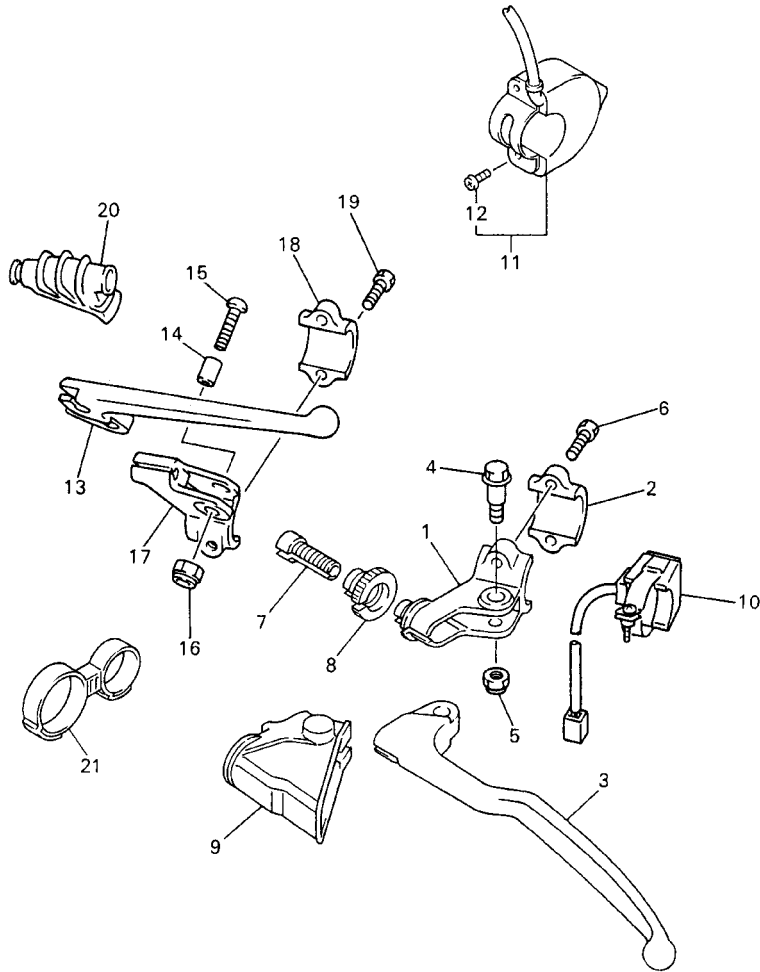
FIG. 39 TAILLIGHT

REF. NO.	PART NO.	DESCRIPTION	5NG5	5NG6	5NG8	5GSA	REMARKS
1	5BF-84710-00	TAILLIGHT UNIT ASSY	1	1	1	1	
2	36Y-84714-40	.BULB, TAILLIGHT (12V-21/5W)	1	1	1	1	
3	4GY-84733-00	.LENS, TAILLIGHT	1	1	1	1	
4	97706-40530	.SCREW, TAPPING	2	2	2	2	
5	4GY-84723-00	.GASKET, TAIL LENS	1	1	1	1	
6	90387-065L5	COLLAR	3	3	3	3	
7	90201-06057	WASHER, PLATE	3	3	3	3	
8	95707-06500	NUT, FLANGE	3	3	3	3	
9	90480-14102	GROMMET	3	3	3	3	
10	90461-11099	CLAMP	2	2	2	2	
11	97780-40010	SCREW, TAPPING	2	2	2	2	
12	5NG-21677-50	PLATE, FITTING 3	1	1	1	1	



5NG5100-2390

FIG. 40 HANDLE SWITCH. LEVER

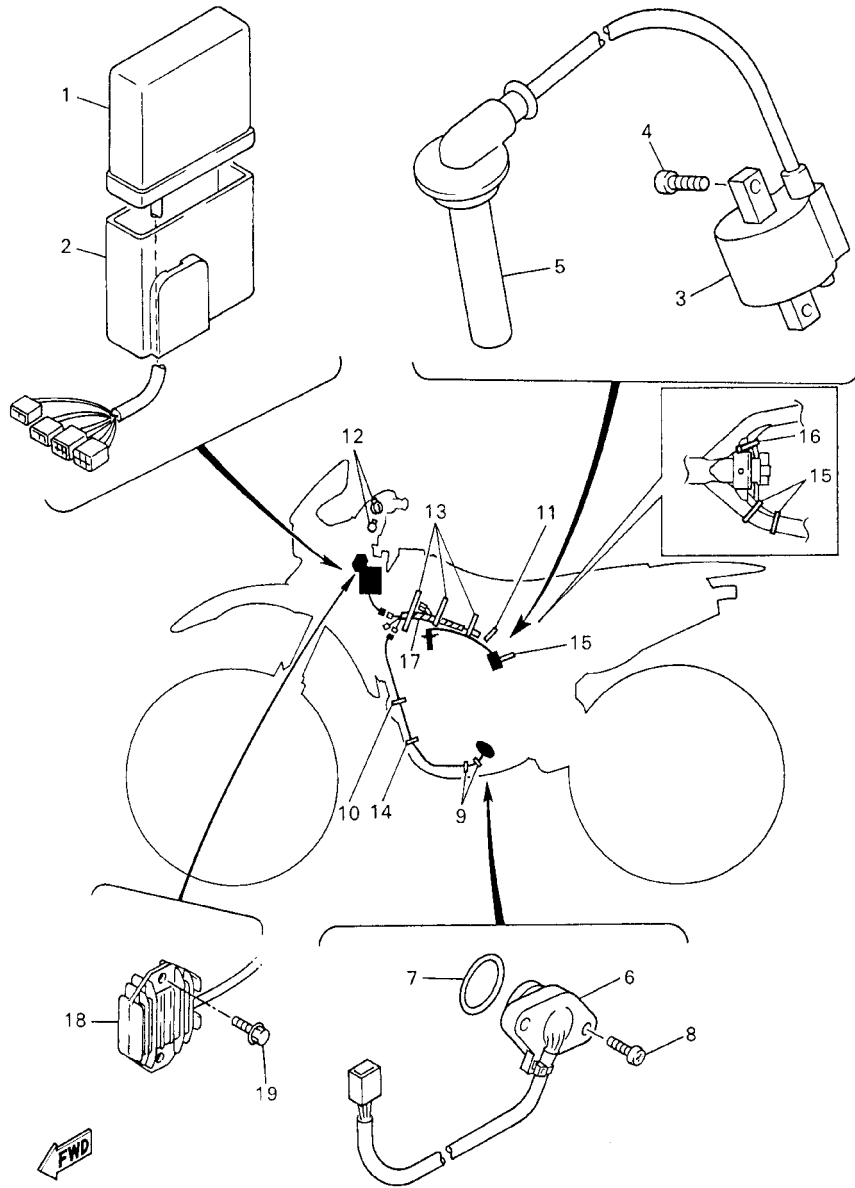


REF. NO.	PART NO.	DESCRIPTION	5NG5	5NG6	5NG8	5GSA	REMARKS
1	5HD-82911-00	HOLDER, LEVER 1	1	1	1	1	
2	38V-82913-00	HOLDER, LEVER LOWER 1	1	1	1	1	
3	5MV-83912-00	LEVER 1	1	1	1	1	
4	90109-06027	BOLT	1	1	1	1	
5	95607-06100	NUT, U	1	1	1	1	
6	97007-05016	BOLT	2	2	2	2	
7	5HD-26337-00	BOLT, ADJUSTING	1	1	1	1	
8	5HD-83951-00	BOLT, CABLE ADJUSTING	1	1	1	1	
9	5HD-26372-00	COVER, HANDLE LEVER 1	1	1	1	1	
10	5SF-83976-00	SWITCH, HANDLE 1	1	1	1	1	
11	5NG-83976-50	SWITCH, HANDLE 1	1	1	1	1	
12	98507-04014	.SCREW, PAN HEAD	2	2	2	2	
13	583-83981-00	LEVER, DECOMPRESSION	1	1	1	1	
14	5BE-83913-00	COLLAR, LEVER 1	1	1	1	1	
15	98907-05020	SCREW, BIND	1	1	1	1	
16	95607-05100	NUT, U	1	1	1	1	
17	5BE-82912-00	HOLDER, LEVER UPPER 1	1	1	1	1	
18	38V-82913-00	HOLDER, LEVER LOWER 1	1	1	1	1	
19	97007-05016	BOLT	2	2	2	2	
20	583-26352-00	COVER, DECOMPRESSION CABLE	1	1	1	1	
21	90464-29223	CLAMP	1	1	1	1	



5NG1100-1400

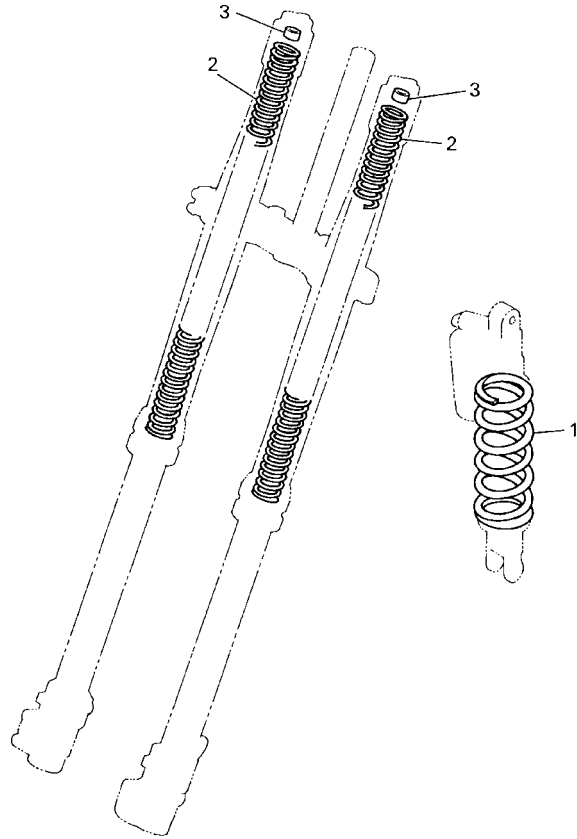
FIG. 41 ELECTRICAL 1



5NG5100-2410

REF. NO.	PART NO.	DESCRIPTION	5NG5	5NG6	5NG8	5GSA	REMARKS
1	5NG-85540-60	C.D.I. UNIT ASSY		1	1		
2	5BE-85546-00	BAND	1	1	1	1	
3	5BE-82310-00	IGNITION COIL ASSY	1	1	1	1	
4	91317-06016	BOLT	2	2	2	2	
5	5BE-82370-00	PLUG CAP ASSY	1	1	1	1	
6	5SF-82540-00	NEUTRAL SWITCH ASSY	1	1	1	1	
7	93210-21276	O-RING	1	1	1	1	
8	90154-05073	SCREW, BINDING	2	2	2	2	
9	90464-16061	CLAMP	2	2	2	2	
10	90464-13073	CLAMP	1	1	1	1	
11	90464-15195	CLAMP	1	1	1	1	
12	90464-13077	CLAMP	2	2	2	2	
13	90464-15152	CLAMP	3	3	3	3	
14	90464-13073	CLAMP	1	1	1	1	
15	90464-15195	CLAMP	2	2	2	2	
16	90465-13152	CLAMP	1	1	1	1	
17	5NG-82509-60	WIRE, SUB LEAD		1	1	1	
18	5GS-81910-50	VOLTAGE REGULATOR ASSY	1	1	1	1	
19	90119-06039	BOLT, WITH WASHER	2	2	2	2	

FIG. 42 ALTERNATE (CHASSIS)



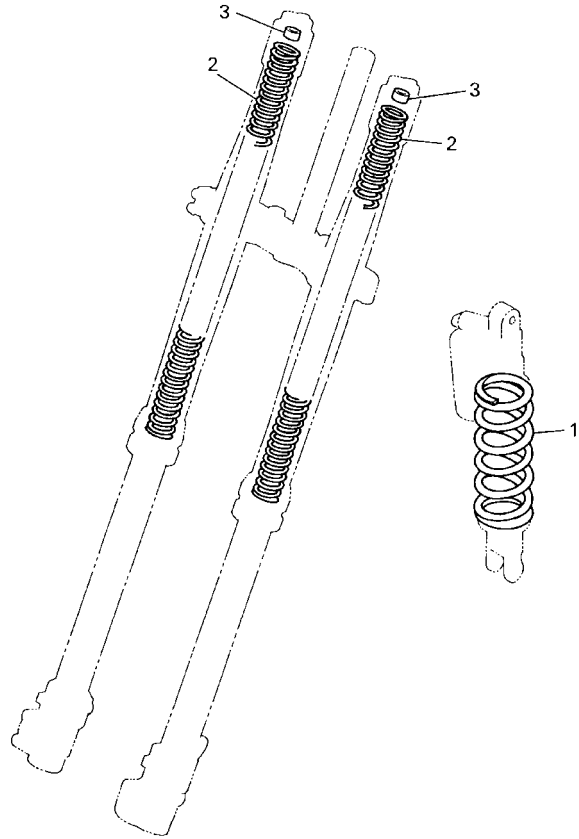
REF. NO.	PART NO.	DESCRIPTION	5NG5	5NG6	5NG8	5GSA	REMARKS
1	5DH-22212-70	SPRING (K=4.4)	1	1	1	1	AP
	5DH-22212-10	SPRING (K=4.6)	1	1	1	1	AP
	5DH-22212-20	SPRING (K=4.8)	1	1	1	1	AP
	5NG-22212-60	SPRING (K=5.0)	1	1	1	1	AP
	5DH-22212-40	SPRING (K=5.2)	1	1	1	1	AP
	5SF-22212-00	SPRING (K=5.4)	1	1	1	1	AP
	5DH-22212-60	SPRING (K=5.6)	1	1	1	1	AP
	5NG-22212-20	SPRING (K=APPROX.4.6)	1	1	1	1	AP
	5ET-22212-00	SPRING (K=APPROX.4.8)	1	1	1	1	AP
	5ET-22212-10	SPRING (K=APPROX.5.0)	1	1	1	1	AP
	5ET-22212-30	SPRING (K=APPROX.5.2)	1	1	1	1	AP
	5ET-22212-40	SPRING (K=APPROX.5.4)	1	1	1	1	AP
	5NG-22212-50	SPRING (K=APPROX.5.6)	1	1	1	1	AP
2	4SS-23141-10	SPRING, FRONT FORK (K=0.38)	2	2	2	2	AP
	4SS-23141-20	SPRING, FRONT FORK (K=0.39)	2	2	2	2	AP
	4SS-23141-30	SPRING, FRONT FORK (K=0.40)	2	2	2	2	AP
	4SS-23141-40	SPRING, FRONT FORK (K=0.41)	2	2	2	2	AP
	4SS-23141-50	SPRING, FRONT FORK (K=0.42)	2	2	2	2	AP
	4SS-23141-60	SPRING, FRONT FORK (K=0.43)	2	2	2	2	AP
	4SS-23141-70	SPRING, FRONT FORK (K=0.44)	2	2	2	2	AP
	5BE-23141-L0	SPRING, FRONT FORK (K=0.45)	2	2	2	2	AP
	5BE-23141-00	SPRING, FRONT FORK (K=0.46)	2	2	2	2	AP
	5GR-23141-00	SPRING, FRONT FORK (K=0.47)	2	2	2	2	AP
	5ET-23141-20	SPRING (K=APPROX.0.40)	2	2	2	2	AP
	5ET-23141-00	SPRING (K=APPROX.0.41)	2	2	2	2	AP
	5ET-23141-30	SPRING (K=APPROX.0.42)	2	2	2	2	AP
	5ET-23141-10	SPRING (K=APPROX.0.43)	2	2	2	2	AP



5BE100-8390

FIG. 42 ALTERNATE (CHASSIS)

REF. NO.	PART NO.	DESCRIPTION	5NG5	5NG6	5NG8	5GSA	REMARKS
2	5ET-23141-40	SPRING (K=APPROX.0.44)	2	2	2	2	AP
3	4SS-23364-L0	COLLAR 2	2	2	2	2	UN



5BE100-8390

NUMERICAL INDEX

PART NO.	GRID NO.	PART NO.	GRID NO.	PART NO.	GRID NO.	PART NO.	GRID NO.	PART NO.	GRID NO.	PART NO.	GRID NO.
5NY-W0041-00	E - 9	4GY-12117-00	B - 5	5BE-12439-00	B - 8	5JG-14293-01	B - 13	5GS-14916-RN	B - 15	5GS-14958-00	C - 4
4SS-W0042-50	E - 11	5BE-12117-00	B - 5	5DJ-12451-00	B - 8	3TJ-14325-40	C - 3	5GS-14916-RP	B - 15	5JG-14959-00	B - 15
5MV-W0045-00	E - 4	1AA-12118-00	B - 5	5GR-12458-00	B - 8	5JG-14346-00	C - 4	5GS-14916-RR	B - 15	5JG-14984-00	C - 3
5GR-W0046-00	E - 7	1WG-12118-00	B - 5	5JG-12461-00	B - 9	5JG-14371-00	C - 3	5GS-14916-RS	B - 15	4SR-14985-00	C - 3
3JD-W0047-00	E - 4	33M-12119-00	B - 5	5HD-12462-00	B - 9	5JG-14379-00	C - 3	5GS-14916-RT	B - 15	5JG-14987-00	C - 4
5ET-W0047-50	E - 7	4SV-12119-00	B - 5	5BE-12481-10	B - 9	5JG-14388-00	B - 15	5GS-14916-RU	B - 15	4FN-14997-00	B - 15
1UY-W0048-50	E - 4	5JG-12121-00	B - 5	5BE-12482-00	B - 9	5JG-1440F-01	B - 13	5GS-14916-R1	B - 15	5SF-15150-00	C - 6
	E - 7	3GM-12126-00	B - 5	5BE-12564-00	B - 8	5JG-14401-00	B - 13	5GS-14916-1N	C - 2	5SF-15362-00	D - 2
4EW-W0057-00	E - 4	3FV-12153-00	B - 6	5BE-12576-00	B - 9	5BE-1441A-10	B - 13	5GS-14916-1P	C - 2	4JT-15381-01	C - 6
5ET-W0057-50	E - 7	3FV-12153-10	B - 6	5BE-12577-01	B - 9	5BF-1441A-10	B - 13	5GS-14916-1R	B - 15	5BE-15383-01	C - 6
5NY-W2587-01	E - 9	3FV-12153-20	B - 6	5BE-12578-00	B - 9	5BE-1441E-10	B - 14	5GS-14916-1S	C - 2	5BE-15411-00	C - 7
5BE-11102-50	B - 2	3LD-12168-A0	B - 5	5BE-12579-02	B - 9	5JG-14417-00	B - 14	5GS-14916-1T	B - 15	5JG-15415-00	C - 7
5JG-11102-20	B - 2	3LD-12168-F0	B - 5	583-13113-00	C - 7	5JG-14428-00	B - 13	5GS-14916-1U	B - 15	5BE-15421-00	C - 6
4KG-1111G-00	B - 2	3LD-12168-H1	B - 5	5BE-13161-01	B - 12	5BF-1443E-00	B - 14	5GS-14916-11	C - 2	5JG-15431-00	C - 7
5BE-11133-10	B - 2	3LD-12168-K1	B - 5	5BE-13171-01	B - 12	5BF-14437-00	B - 13	5JG-14922-00	C - 3	5BE-15441-00	C - 6
5BE-11134-10	B - 2	3LD-12168-M1	B - 5	5BE-13300-10	B - 10	5BE-14449-00	C - 4	5GS-14933-00	C - 4	5JG-15441-01	C - 6
5BE-11166-00	B - 2	3LD-12168-R1	B - 5	1HX-13310-10	B - 10	4XM-14451-00	B - 13	5GS-14933-40	C - 3	5BE-15451-00	C - 7
371-11167-01	B - 2	3LD-12168-U1	B - 5	5BE-13341-00	B - 10	5BF-14452-00	B - 13	4FN-14934-00	C - 3	5JG-15453-00	C - 7
5BE-11167-00	B - 2	3LD-12168-W1	B - 5	5BE-13342-00	B - 10	5JG-14453-00	B - 13	3TJ-1494F-10	C - 2	5BE-15462-00	C - 7
5GR-11181-00	B - 2	3LD-12168-Y1	B - 5	5BE-13411-00	B - 10	5BF-14457-00	B - 13	3TJ-1494F-11	C - 3	5GR-15601-00	C - 8
5JG-11181-00	B - 2	3LD-12168-00	B - 5	5BE-13412-00	B - 10	5BE-14458-00	B - 13	3TJ-1494F-12	C - 3	5BE-15620-02	C - 8
5BE-11191-00	B - 2	3LD-12168-20	B - 5	5BE-13416-00	B - 10	3JD-14459-01	B - 13	3TJ-1494F-13	C - 2	3SP-15621-02	C - 8
5BE-11193-10	B - 3	3LD-12168-40	B - 5	1UY-13440-02	B - 12	5MV-14477-00	B - 13	3TJ-1494F-14	C - 3	5BE-15651-00	C - 8
5BE-11311-10	B - 3	3LD-12168-60	B - 5	5BE-13447-00	B - 12	5BF-14493-00	B - 13	3TJ-1494F-15	C - 3	5GR-15664-00	C - 8
5JG-11311-00	B - 3	3LD-12168-80	B - 5	5BE-13464-10	B - 10	5JG-14521-00	C - 2	5GS-14940-00	C - 4	5SF-15668-00	C - 8
5BE-11351-00	B - 3	3LD-12169-E0	B - 6	5BE-13465-10	B - 10	5JG-14522-00	B - 15	5JG-14940-17	C - 3	5BE-15686-01	C - 8
5JG-11387-00	B - 3	3LD-12169-G0	B - 6	5SF-13597-00	B - 13	5JG-14531-00	C - 4	5JG-14940-18	C - 3	5JG-16111-00	C - 9
5GS-11400-10	B - 4	3LD-12169-J0	B - 6	5GS-14101-61	B - 15	3TJ-14536-40	C - 3	5JG-14940-19	C - 3	5BE-16150-00	C - 9
5JG-11400-20	B - 4	3LD-12169-L0	B - 6	5NG-14101-50	B - 15	5JG-14546-01	B - 15	3TJ-14943-47	C - 2	5JG-16150-10	C - 9
5JG-11412-10	B - 4	3LD-12169-N0	B - 6	5NG-14101-60	B - 15	676-14548-00	C - 3	4MX-14943-38	C - 2	2JN-16154-00	C - 9
5JG-11422-10	B - 4	3LD-12169-T0	B - 6	3TJ-14105-40	C - 3	4YR-14557-00	C - 4	4MX-14943-39	C - 2	3XK-16321-00	C - 9
5BE-11454-00	B - 4	3LD-12169-11	B - 5	5BE-14107-00	C - 3	4FN-14561-00	B - 13	4MX-14943-40	C - 2	5BE-16321-00	C - 9
5BE-11455-00	B - 4	3LD-12169-31	B - 6	4MX-14115-00	C - 4	4MX-14561-00	C - 4	4MX-14943-41	C - 2	5JG-16321-00	C - 9
5BE-11531-00	B - 4	3LD-12169-50	B - 6	3TJ-14137-40	C - 4	6H4-14561-00	C - 3	4MX-14943-42	C - 2	360-16325-00	C - 9
5JG-11536-00	B - 4	3LD-12169-70	B - 6	5BE-14146-00	C - 4	5BE-14562-00	C - 4	4MX-14943-89	C - 2	5JG-16325-00	C - 9
5BE-11603-00	B - 4	3LD-12169-90	B - 6	5JG-14146-00	C - 4	5JG-14565-00	C - 4	4MX-14943-90	C - 2	5BE-16331-00	C - 9
5JG-11603-00	B - 4	5BF-12170-10	B - 7	3TJ-14159-40	C - 2	5JG-14591-00	C - 4	4MX-14943-91	C - 2	3YF-16351-00	C - 9
5GR-11631-00	B - 4	5BF-12180-01	B - 7	5JG-14171-00	C - 3	5BE-14611-00	C - 5	4MX-14943-92	C - 2	5JG-16351-00	C - 9
5NG-11631-10	B - 4	5BE-12210-00	B - 7	3TJ-14191-40	C - 4	5JG-14611-00	C - 5	4MX-14943-93	C - 2	5BE-16356-00	C - 9
5GR-11633-01	B - 4	4FM-12213-00	B - 7	5JG-14196-00	C - 4	3VD-14613-00	C - 5	7A9-14943-11	C - 3	5JG-16356-00	C - 9
5JG-11633-00	B - 4	5BE-12241-00	B - 7	5JG-14197-00	C - 4	5BE-14628-00	C - 5	7A9-14943-17	C - 3	5BE-16357-00	C - 10
5BE-11651-10	B - 4	5BE-12251-10	B - 7	5JG-14197-10	C - 4	5JG-14628-00	C - 5	5JG-14947-00	C - 2	5JG-16357-10	C - 10
5JG-11651-10	B - 4	5BE-12252-00	B - 7	4YR-14216-00	C - 4	5NG-14710-00	C - 5	4MX-14948-02	C - 2	2JN-16371-00	C - 9
5BE-11681-00	B - 4	5BE-12280-10	B - 7	5BE-14216-00	C - 3	5NG-14710-10	C - 5	4MX-14948-03	C - 2	5JG-16371-10	C - 9
5JG-12111-00	B - 5	5NL-12283-00	B - 7	5JG-14264-00	C - 2	3GW-14714-00	C - 5	4MX-14948-04	C - 2	5BE-16381-00	C - 10
5JG-12112-00	B - 5	5BE-12292-10	B - 7	3TJ-14267-40	B - 15	4BD-14766-00	C - 5	4MX-14948-05	C - 2	5JG-16381-00	C - 10
5JG-12113-00	B - 5	5JG-1240A-00	B - 9	5JG-14275-00	C - 2	5BE-14788-00	C - 5	4MX-14948-06	C - 2	5JG-16383-00	C - 9
5JG-12114-00	B - 5	5BE-12422-10	B - 8	3TJ-14293-40	C - 3	5GS-14916-RM	B - 15	5JG-14951-00	B - 15	4JT-16384-00	C - 10

NUMERICAL INDEX

PART NO.	GRID NO.	PART NO.	GRID NO.	PART NO.	GRID NO.	PART NO.	GRID NO.	PART NO.	GRID NO.	PART NO.	GRID NO.
5JG-16384-00	C - 9	3FY-21575-01	D - 4	5DH-22212-40	D - 8	4SR-23141-L0	D - 12	5NX-23340-L0	D - 12	5NY-25383-00	E - 5
5BF-17121-00	C - 11	5BF-21611-00	D - 3		F - 4	4SS-23141-10	F - 4	4SS-23346-L0	D - 12	5NY-25388-00	E - 5
5BF-17131-20	C - 11	5GS-2163G-A0	D - 3	5DH-22212-60	F - 4	4SS-23141-20	F - 4	5NY-23346-L0	D - 12	5NY-25389-00	E - 5
5BF-17141-20	C - 11	5NG-2163G-50	D - 3	5DH-22212-70	F - 4	4SS-23141-30	F - 4	3SP-23356-L0	D - 13	3JE-25394-00	E - 5
5BF-17151-00	C - 11	5BE-21642-00	D - 3	5ET-22212-00	F - 4	4SS-23141-40	F - 4	4SS-23364-L0	F - 5	5SF-25394-00	E - 3
5BF-17211-00	C - 11	5NG-21677-50	E - 15	5ET-22212-10	F - 4	4SS-23141-50	F - 4	4DA-23389-00	D - 10	5GS-25448-50	E - 5
5BF-17221-00	C - 11	5BF-21711-00	D - 4	5ET-22212-30	F - 4	4SS-23141-60	F - 4	4GY-23389-00	D - 10	5GS-25450-50	E - 5
5BF-17231-00	C - 11	5JG-2172A-00	D - 4	5ET-22212-40	F - 4	4SS-23141-70	F - 4	5BF-2339E-00	E - 14	5GS-25452-50	E - 5
5BF-17241-00	C - 11	5BF-21721-00	D - 4	5NG-21721-20	F - 4	5BE-23141-L0	F - 4	5HD-23393-L0	D - 11	8CR-25715-00	E - 9
5BF-17251-00	C - 11	5SF-2173E-01	D - 4	5NG-22212-50	F - 4	5BE-23141-00	F - 4		D - 12	5DH-25718-01	E - 7
5BF-17411-10	C - 11	5SF-2173F-01	D - 4	5NG-22212-60	D - 8	5ET-23141-00	F - 4	4EW-23416-00	D - 10	5MV-2580T-10	E - 4
5BE-17421-00	C - 11	5JG-21731-01	D - 4		F - 4	5ET-23141-10	F - 4	5GS-23435-50	D - 10	5NY-2580W-00	E - 7
5NG-17460-00	C - 12	5NL-21731-00	D - 4	5SF-22212-00	F - 4	5ET-23141-20	F - 4	3SP-23441-00	D - 10	5MV-2581T-00	E - 4
5BE-17466-10	C - 6	5NG-2174A-50	D - 4	3SP-22213-00	D - 8	5ET-23141-30	F - 4	5GS-24110-00	D - 14	4ML-2582A-50	E - 11
4L0-17471-00	C - 6	5JG-21741-01	D - 4	5DH-22214-00	D - 8	5ET-23141-40	F - 5	5JG-24110-50	D - 14	5NY-2582W-00	E - 7
5GR-17471-00	C - 12	5NL-21741-00	D - 4	5MV-22224-00	D - 8	5GR-23141-L0	D - 11	4EW-2412F-00	D - 14	5DH-25827-50	E - 7
3XK-18101-02	C - 14	3JD-21748-00	D - 3	4JX-22226-00	D - 8		D - 12	24X-24144-00	D - 14	5DH-25828-50	E - 7
5BE-18110-00	C - 14	5MV-2175C-00	D - 4	3SP-22234-00	D - 8	5GR-23141-00	F - 4	5SF-24173-00	D - 14	5JG-2583V-00	E - 11
5LP-18122-00	C - 14	5BE-21756-00	C - 15	5NY-22241-00	D - 8	5DH-23142-L0	D - 11	22W-24181-00	C - 5	5MV-25833-00	E - 9
3XK-18140-00	C - 13	5JG-21781-50	D - 4	5DH-22253-00	D - 8		D - 12	3GD-24181-00	B - 9	5BE-25844-01	E - 11
5BE-18172-00	C - 14	5MV-21823-00	D - 5	5MV-22253-00	D - 8	5HD-23144-L0	D - 11	4SS-24181-00	D - 14	5BE-25852-00	E - 11
3XJ-18173-00	C - 14	5GS-21871-00	D - 4	5NY-22355-00	D - 6		D - 12	5BE-24182-00	D - 15	5MV-25852-01	E - 9
3XJ-18178-00	C - 14	26H-21874-00	D - 4	3V6-22358-00	D - 15	5ET-23145-L0	D - 11	3JD-24186-00	D - 14	56A-25854-00	E - 11
3XJ-18182-00	C - 14	26H-21875-00	D - 4	4EW-22474-00	D - 8		D - 12	5NG-24240-51	D - 15		E - 9
3XJ-18184-00	C - 14	5NY-22110-00	D - 6	3JE-22475-00	D - 8	4SS-23146-L0	D - 11	5SF-24240-01	D - 15	2VN-25866-00	E - 11
4EW-18185-00	C - 14	5NY-22121-00	D - 6	5NY-22475-00	D - 8		D - 12	3XJ-24380-00	D - 14	5MV-25867-00	E - 9
5BE-18501-20	C - 13	5NY-22122-00	D - 7	5GR-22898-50	E - 7	5DH-23149-L0	D - 11	2GU-24500-01	D - 14	5NY-25868-00	E - 9
5BE-18502-20	C - 13	4XM-22128-00	D - 6	5NG-23102-50	D - 11		D - 12	4X8-24512-00	D - 14	5PH-25872-00	E - 9
5BE-18503-20	C - 13	5NY-22141-00	D - 6	5NG-23102-60	D - 11	4SS-23153-L0	D - 11	3AJ-24523-00	D - 14	5MV-25873-00	E - 11
5JG-18541-00	C - 13	5MV-22151-00	D - 6	5NG-23103-50	D - 11		D - 12	3AJ-24534-00	D - 14	5DH-25875-00	E - 4
4BA-18542-00	C - 13	5JG-22156-00	D - 6	5NG-23103-60	D - 11	4SS-23158-L0	D - 11	5MV-24610-00	D - 14	2VM-25876-00	E - 11
5DH-18562-00	C - 6	5NY-2217A-00	D - 6	5BF-23110-L0	D - 12		D - 12	5NG-24710-50	E - 2	3FV-2589A-00	E - 11
5NG-21101-50-PO	C - 15	5NY-2217F-00	D - 7	5NY-23111-L0	D - 11	5NG-2316A-50	D - 11	5SF-24710-00	E - 2	5MV-2589F-00	E - 9
5BE-2117M-01	E - 11	5MV-22176-00	D - 8		D - 12		D - 12	5BE-24728-00	E - 2	5BE-25894-00	E - 11
5NG-21190-00-PO	C - 15	3JD-22178-10	C - 15	5DH-23118-L0	D - 11	5NG-2316A-60	D - 11	5NG-24731-50	E - 2	5BE-25895-00	E - 11
5NG-21338-00	D - 2	4EW-22178-00	C - 15		D - 12		D - 12	5SF-24731-00	E - 2	3SP-25914-51	E - 4
5HD-2135F-00	D - 7	5MV-22184-00	D - 8	3JD-2312G-L0	D - 11	5BF-2317M-00	E - 13	5NY-25104-00	E - 3	5DH-25916-00	E - 4
5NY-2135F-00	D - 7	4XM-22199-00	D - 6		D - 12	5NG-23170-50	D - 11	5NG-25111-50	E - 3		E - 7
5BE-21417-00	D - 2	5NG-22201-50	D - 8	5DH-23120-L0	D - 11		D - 12	5NY-25117-00	E - 3	5DH-25919-00	E - 4
5BE-21425-01	C - 15	5NG-22201-60	D - 8	5ET-23125-L0	D - 11	5NG-23170-60	D - 11	5BE-25181-00	E - 3	5DH-25919-50	E - 7
5GR-21425-01	C - 15	5NG-22201-70	D - 8		D - 12		D - 12	5NY-25183-00	E - 3	8CR-25924-00	E - 7
5GS-21458-50	E - 10	5NG-22201-80	D - 8	5HD-23136-L0	D - 11	5ET-23171-L0	D - 11	5NG-25190-50	E - 3	3SP-25926-51	E - 4
5BE-2147A-00	D - 2	5NG-22210-50	D - 8	5DH-2314E-00	E - 4		D - 12	5GS-25304-00	E - 5	5DH-25933-00	E - 4
5NG-2147A-10	D - 2	5NG-22210-60	D - 8	5DH-2314F-L0	D - 12	5DH-23183-00	D - 8	5ET-25311-00	E - 5	4XM-26111-00	E - 8
5BE-21471-00	D - 2	5NG-22210-70	D - 8	4SS-2314G-L0	D - 12	509-23184-L0	D - 8	5ET-25317-00	E - 5	5BE-26240-00	E - 8
5HD-21511-00	D - 3	5NG-22210-80	D - 8	5DH-2314H-00	D - 13	5MV-23195-L0	D - 11	4XM-25364-00	E - 5	4GY-26241-00	E - 8
4XL-2153A-10	D - 13	5DH-22212-10	F - 4	5BF-2314J-00	D - 12		D - 12	5ET-25367-00	E - 6	4GY-26242-00	E - 8
4ES-2153E-01	D - 3	5DH-22212-20	F - 4	4SR-23141-L0	D - 11	5HC-2331E-00	D - 13	5ET-25381-00	E - 6	3Y1-26249-00	E - 8

NUMERICAL INDEX

PART NO.	GRID NO.	PART NO.	GRID NO.	PART NO.	GRID NO.	PART NO.	GRID NO.	PART NO.	GRID NO.	PART NO.	GRID NO.
5BE-26281-00	E - 8	8G9-84314-00	E - 14	90119-05071	D - 10	90201-06071	B - 9	90387-0614M	B - 9	90464-16061	F - 3
5BE-26282-00	E - 8	5NG-84319-50	E - 13	90119-06038	D - 3	90201-06557	D - 3	90387-065L5	E - 15	90464-29223	F - 2
5SF-26287-00	E - 8	5BF-8433E-00	E - 14	90119-06039	F - 3	90201-08089	E - 10	90387-0701A	D - 3	90465-13152	F - 3
5SF-26302-00	E - 8	5BF-84330-00	E - 14	90119-06060	D - 5	90201-08326	E - 5	90387-086N4	C - 15	90465-16258	E - 9
5SF-26335-00	E - 8	5BF-84334-00	E - 14	90119-06096	D - 3	90201-08410	C - 3	90387-1003G	E - 10	90467-09006	D - 5
5HD-26337-00	F - 2	5BF-84335-00	E - 14	90119-06214	D - 14	90201-08512	B - 8	90387-124F4	C - 14	90467-10008	D - 14
5HD-26342-00	E - 8	55U-84337-00	E - 14	90119-08238	D - 4	90201-086P8	C - 15	90387-16005	D - 6	90467-11106	B - 2
583-26352-00	F - 2	5BF-84397-00	E - 14	90122-06035	B - 13	90201-087A9	C - 8	90387-16007	D - 6	90467-12085	E - 11
5HD-26372-00	F - 2	5BF-84710-00	E - 15	90146-06014	B - 13	90201-101A4	B - 2	90387-167Y9	D - 6	90467-14015	B - 3
5NY-26372-00	E - 8	36Y-84714-40	E - 15	90149-06011	D - 14	90201-101J1	E - 12	90387-18004	D - 6	90467-17089	B - 14
4XM-27200-00	E - 10	4GY-84723-00	E - 15	90149-06126	C - 6	90201-10118	E - 11	90387-18005	D - 6	90468-16191	E - 10
5JG-27217-00	E - 10	4GY-84733-00	E - 15	90149-06250	B - 4			90387-18007	C - 6	90470-14102	E - 15
3SP-27222-00	E - 11	5GS-85540-A0	F - 3	90149-06324	E - 12	90201-10119	E - 10	90387-2113G	C - 11	90480-14323	D - 3
5BF-27311-00	E - 10	5NG-85540-50	F - 3	90149-06326	C - 6	90201-112U6	E - 10	90387-225N2	E - 8	90480-15528	B - 9
5GS-27315-50	E - 10	5NG-85540-60	F - 3	90149-06327	E - 4	90201-12166	B - 10	90387-2513F	C - 11	90480-18549	D - 14
5ET-27411-00	E - 10	5BE-85546-00	F - 3	90151-04048	D - 6	90201-125L6	C - 10	90401-08038	B - 12	90501-043E0	C - 7
5ET-27421-00	E - 10	5BF-85550-00	E - 12	90152-06010	C - 8	90201-14740	D - 7	90401-10159	B - 12	90501-052G5	C - 14
4GY-27491-00	E - 7	5NG-85550-50	E - 12	90154-05073	F - 3	90201-15701	C - 7	90401-10172	E - 11	90501-06022	C - 13
5BE-2814F-00	D - 2	5NG-85560-50	E - 12	90157-02031	E - 13	90201-160F6	D - 6		E - 9	90501-13720	C - 8
5ET-28166-00	D - 2	5JG-85885-00	C - 3	90157-05095	E - 11	90201-162H4	C - 8	90430-06014	B - 8	90501-16016	C - 8
5NG-2831V-00	D - 10	9Y58A-76113	E - 6	90159-06078	D - 4	90201-167P7	C - 8		B - 7	90501-22003	C - 9
4GY-2832V-00	D - 10	90101-06001	C - 8	90159-06092	C - 9	90201-20276	C - 8	90430-08119	B - 12	90501-23141	C - 9
5GS-81910-50	F - 3	90101-06664	C - 14	90159-06182	D - 4	90201-203U1	E - 6		C - 15	90506-16500	E - 10
5BE-82310-00	F - 3	90101-08777	E - 5	90159-06189	E - 14	90201-20685	C - 8	90430-10188	B - 12	90506-35473	E - 10
5BE-82370-00	F - 3	90101-10738	E - 10	90170-14171	B - 4	90201-247L2	D - 10	90430-12213	C - 6	90508-142B5	C - 10
5NG-82509-50	F - 3	90105-05361	D - 10	90170-20327	C - 9	90201-253K0	C - 11	90430-18130	C - 15	90508-162B2	B - 10
5NG-82509-60	F - 3	90105-06027	B - 2	90170-24373	D - 10	90201-286K9	D - 10	90445-09100	D - 14	90508-26561	C - 13
5SF-82540-00	F - 3	90105-06154	D - 3	90179-06500	B - 3	90202-05193	D - 14	90445-09104	D - 14	90508-282B8	E - 10
5HD-82911-00	F - 2	90105-065A1	C - 7	90179-06568	D - 6	90202-08045	B - 15	90445-09220	D - 14	90508-282B9	E - 10
5BE-82912-00	F - 2	90105-06553	C - 12	90179-08270	B - 3	90206-06090	C - 5	90445-11002	D - 14	90508-291A8	C - 14
38V-82913-00	F - 2		C - 6	90179-08299	E - 6	90209-06096	B - 13	90445-112K0	B - 2	90508-30743	C - 8
2HR-83505-F0	E - 13		E - 11	90179-10247	E - 12	90209-21332	C - 11	90445-114K9	D - 14	91A20-05130	D - 5
2HR-83505-G0	E - 13	90105-06690	D - 3	90179-16672	E - 3	90209-26348	C - 11	90450-22017	B - 10	91A21-05125	D - 5
4V5-83513-00	E - 13	90105-08099	C - 15	90179-20001	C - 12	90215-14204	B - 4	90450-25037	B - 9	91314-06030	B - 10
5NG-83519-00	E - 13	90105-08659	E - 4		C - 9	90215-20231	C - 9	90450-28014	B - 9	91316-04008	B - 15
437-83525-00	E - 13	90105-08752	C - 8	90179-28650	D - 10	90215-21001	C - 12	90450-57092	B - 13	91316-04012	B - 15
1M1-83526-00	E - 13	90105-10323	D - 8	90183-06023	B - 14		C - 9	90450-59001	B - 13	91317-05008	D - 6
5BF-83550-00	E - 13	90105-104A7	B - 2		D - 3	90240-08120	E - 10	90450-61001	B - 13	91317-05014	B - 13
11H-83578-00	E - 13	90105-106A3	B - 2	90185-08169	C - 15	90240-10142	E - 10	90461-10136	C - 6	91317-06014	E - 9
2HR-83592-00	E - 13	90105-10733	C - 15		E - 5	90267-32070	B - 13	90461-11099	E - 15	91317-06016	F - 3
5MV-83912-00	F - 2	90109-06027	F - 2	90185-10002	C - 15	90280-03001	B - 4	90462-10241	C - 7	91317-06025	B - 10
5BE-83913-00	F - 2	90109-063F8	C - 13	90185-10060	D - 9	90338-18176	C - 15	90464-13073	D - 5	91317-06040	C - 6
5MV-83922-00	E - 9	90109-06418	B - 7	90185-14007	D - 7	90340-12059	C - 6		F - 3	91317-06050	C - 6
5HD-83951-00	F - 2	90109-065G2	B - 12	90185-16127	D - 6	90340-12112	B - 2	90464-13077	D - 5	91317-06060	C - 6
5NG-83976-50	F - 2	90109-065G4	E - 7	90185-20168	E - 6	90340-14128	C - 7		F - 3	91317-06075	C - 6
5SF-83976-00	F - 2	90109-066F0	B - 2	90201-03313	B - 14	90340-32123	C - 7	90464-15152	F - 3	91317-08020	C - 5
583-83981-00	F - 2	90109-081G1	E - 5	90201-05033	E - 13	90387-06004	B - 9	90464-15195	F - 3	91401-20012	E - 10
5BF-84310-00	E - 14	90110-08096	C - 15	90201-06057	E - 15	90387-06009	D - 3	90464-16039	D - 5	91401-25015	E - 10

NUMERICAL INDEX

PART NO.	GRID NO.	PART NO.	GRID NO.	PART NO.	GRID NO.	PART NO.	GRID NO.	PART NO.	GRID NO.	PART NO.	GRID NO.
91808-16023	B - 2	93306-20593	C - 11	95027-06010	E - 13	95827-06010	E - 14				
91812-16001	C - 7	93306-27205	E - 5	95027-06012	B - 12	95827-06012	E - 4				
92014-06016	E - 11	93306-30633	B - 4		B - 14	95827-06014	B - 7				
92017-05008	E - 13	93306-90403	E - 3		B - 9	95827-06016	D - 4				
92017-08055	C - 15	93306-90501	C - 13		E - 7	95827-08012	C - 15				
92907-06100	E - 2	93310-63480	B - 4	95027-06016	D - 14	97007-05016	F - 2				
92907-06600	B - 7	93311-62574	B - 4		E - 7	97007-06012	E - 2				
92907-08200	E - 4	93315-32053	D - 7	95027-06020	B - 12	97027-06016	B - 7				
92990-10200	E - 10	93315-32056	D - 6		C - 14	97706-40530	E - 15				
93101-14164	C - 7	93317-11287	C - 10	95027-06025	B - 10	97707-50012	B - 13				
93102-12106	B - 8	93317-22262	D - 6		B - 11	97707-60016	D - 3				
	C - 14	93332-00068	D - 10		B - 7	97780-40010	E - 15				
93102-12224	B - 7	93332-00081	D - 10		B - 8	97801-03008	D - 14				
	C - 10	93340-21505	C - 9		B - 9	98507-04014	F - 2				
93102-20108	C - 8	93342-22217	D - 6	95027-06030	B - 9	98507-05020	E - 8				
93102-26468	E - 3	93410-20038	C - 8		C - 7	98507-06025	C - 6				
93102-32480	C - 11	93420-18082	B - 4	95027-06040	B - 3	98706-04012	E - 9				
93106-22019	D - 6	93420-19084	B - 4		C - 7	98706-04040	E - 11				
93106-30044	E - 5	93440-10085	B - 10	95027-06050	D - 6	98707-06025	D - 14				
93106-30045	E - 5		C - 10	95027-06065	B - 12	98907-05020	F - 2				
93109-11073	B - 8	93440-10153	B - 2	95027-08012	D - 2	98907-06020	D - 14				
93109-20076	D - 6	93440-25084	C - 11		E - 13	98980-06008	C - 5				
	D - 7	93440-28062	C - 11	95027-08020	E - 4	99001-08600	B - 10				
93109-28043	D - 6	93440-41178	B - 7	95027-08035	D - 10	99009-12400	B - 10				
93210-07003	B - 12	93501-04011	C - 8	95027-08040	C - 15	99009-16400	C - 8				
93210-07135	B - 12	93503-08007	C - 7		D - 10	99009-20400	C - 8				
93210-09008	B - 12	93511-32027	C - 10	95027-08065	C - 15	99009-22500	C - 7				
93210-10197	B - 10	93603-17070	B - 10	95027-10020	E - 10	99009-45500	E - 5				
	C - 6	93604-10011	B - 8	95301-08700	E - 11	99244-00200	D - 7				
93210-11073	E - 10	93608-33002	C - 14	95607-05100	B - 13	99530-08012	B - 10				
93210-12759	B - 12	93612-16254	B - 3		F - 2	99530-08016	C - 7				
93210-14369	C - 7	9383E-14215	C - 12	95607-06100	F - 2	99530-10114	B - 10				
93210-15620	E - 11	9383E-15082	C - 12	95607-10200	D - 8		C - 6				
93210-16500	B - 9	94108-21008	E - 3	95617-06635	B - 2	99530-10116	C - 6				
93210-19123	D - 2	94111-18008	E - 5	95617-08620	B - 2	99530-14016	C - 6				
93210-19216	C - 8	94212-18188	E - 5	95617-08635	B - 2						
93210-19758	B - 8	94227-21101	E - 3	95617-10100	E - 10						
93210-21276	F - 3	94309-18146	E - 5	95701-06500	E - 9						
93210-22164	C - 11	94309-21161	E - 3	95707-06500	E - 15						
93210-32172	C - 7	94416-21003	E - 3	95707-08500	B - 2						
93210-47675	B - 12	94421-18610	E - 5		C - 15						
93300-60804	C - 15	94591-50120	B - 7	95804-06010	C - 5						
93306-00105	B - 8	94681-76021	E - 6	95804-06016	C - 5						
93306-00426	C - 11	94701-00329	B - 2	95817-08014	C - 5						
93306-00431	C - 11	94701-00330	B - 2	95817-08016	D - 2						
93306-07202	E - 5	95024-06020	B - 11	95817-10050	C - 15						
93306-20335	B - 4	95027-06010	C - 10	95817-10160	C - 15						
93306-20532	C - 11		D - 6	95827-06010	B - 9						

CONTENTS

ENGINE

CYLINDER	B2
CRANKSHAFT. PISTON	B4
VALVE	B5
CAMSHAFT. CHAIN	B7
WATER PUMP	B8
RADIATOR. HOSE	B9
OIL PUMP	B10
OIL CLEANER	B12
INTAKE	B13
CARBURETOR	B15
EXHAUST	C5
CRANKCASE	C6
CRANKCASE COVER 1	C7
STARTER	C8
CLUTCH	C9
TRANSMISSION	C11
SHIFT CAM. FORK	C13
SHIFT SHAFT	C14

CHASSIS

FRAME	C15
FENDER	D3
SIDE COVER	D4
REAR ARM	D6
REAR SUSPENSION	D8
STEERING	D10
FRONT FORK	D11
FUEL TANK	D14
SEAT	E2
FRONT WHEEL	E3
FRONT BRAKE CALIPER	E4
REAR WHEEL	E5

REAR BRAKE CALIPER	E7
STEERING HANDLE. CABLE	E8
FRONT MASTER CYLINDER	E9
STAND. FOOTREST	E10
REAR MASTER CYLINDER	E11
GENERATOR	E12
METER	E13
HEADLIGHT	E14
TAILLIGHT	E15
HANDLE SWITCH. LEVER	F2
ELECTRICAL 1	F3
ALTERNATE (CHASSIS)	F4